

MAYTAG

TECHNICAL SPECIFICATIONS

Model PPG2GI

iQDrive®



M1200 Product Line

**Single Packaged Gas/Electric Units
20 SEER, 81% AFUE — 2 - 5 Ton Units
Multi-Stage Cool / 2-Stage Heat**

- **M1200 - 12 YEAR ALL PARTS LIMITED WARRANTY**
- **M1200 WITH UPGRADED WARRANTY PACKAGE - 12 YEAR ALL PARTS & LABOR LIMITED WARRANTY**
- **Both the standard and upgraded limited warranty packages offer a 12 Year Dependability Promise to replace the entire unit, if the unit's major component (heat exchanger or compressor) fails within the first 12 years of operation, to the original owner.**
- **Product registration (by consumer or dealer) required for 12-year Warranty and Dependability Promise within a limited period of time after the installation. See current warranty document for details. This can be viewed at www.maytagvac.com or ask your sales representative.**
- **Dealer is responsible for registration of labor portion of warranty.**
- **Also when registered, this product is upgraded to a limited lifetime heat exchanger warranty.**

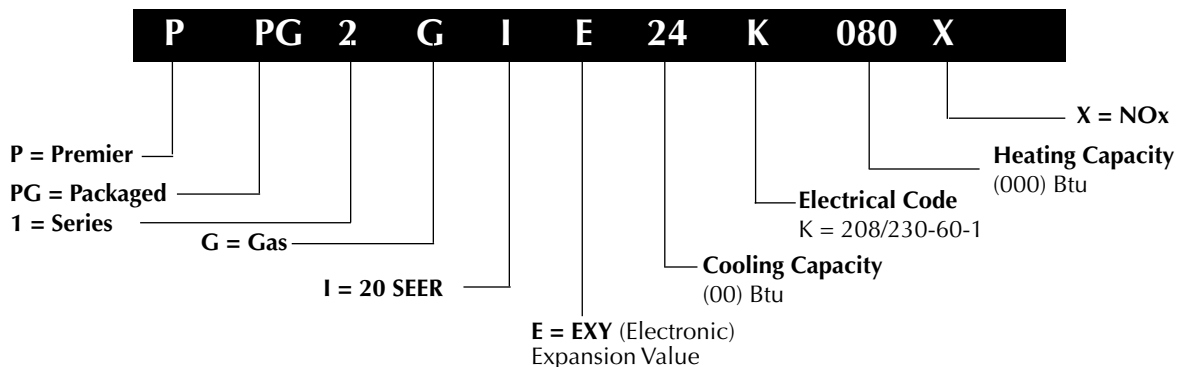


The iQ Drive gas electric package system features modulating compressor technology and variable speed indoor and outdoor fan motors. This system is controlled from a two stage cooling and heating thermostat. The system has the capability of adding up to 18% of additional cooling above the rated capacity. The system has de-humidification capabilities from the thermostat or a duct mounted humidistat. These packaged gas/electrics are ultra-high efficiency self-contained cooling units that can be installed on the roof or on a slab. The convertible unit design makes installations simple in all applications. Units are ETL and ETLc listed.

Features and Benefits

- **iQ Drive:** Inverter driven Samsung rotary compressor provides five capacities in modulating operation from a two stage thermostat.
- **Interface control board:** Two digit LED provides system operation, status and diagnostic troubleshooting information. Utilizes a Nordyne-patented capacity control algorithm to select the optimum system capacity level. Internal controls monitor system operation to protect the inverter drive and compressor.
- **Operating temperature range:** cooling 40 °F to 125 °F.
- **Five Minute Restart Time Delay:** keeps the unit from restarting, eliminating the highest cause for compressor failure.
- **EXV control:** Precise refrigerant superheat control provided by an electronic expansion valve.
- **Suction Accumulator:** Protection from liquid flood back and future compressor failures.
- **R-410A Refrigerant:** Environmentally friendly non-ozone depleting refrigerant.
- **Compressor and Component Access:** Designed to make servicing easier for the contractor, hinge access panel is provided to all controls and the compressor.
- **High Efficiency with low Sound Levels:** 20 SEER with sound ratings TBD depending upon operating conditions. Engineered to significantly reduce unwanted noise with compressor sound blanket, variable speed condenser motor and swept-wing fan blade and discharge muffler.
- **High Pressure Switch:** Protects against abnormally high system pressures. Auto-reset feature prevents nuisance service visits.
- **Low Pressure Switch:** Protects against loss of system refrigerant charge.
- **Liquid Line Filter Drier:** Factory installed.
- **Micro-Channel Condenser Coils:** All aluminum coils that provide high corrosion resistance and increased heat transfer.
- **Anteater Copper Tube (Luvata Uniguard) / Aluminum Fin Indoor Coils:** Indoor coils are designed to optimize heat transfer, and increase durability and reliability.
- **Wire Guard Coated with Earth Friendly Epoxy and Plastic Mesh Hail Guard:** A guard that will never rust and protects the units coil from being damaged.
- **Designed using galvanized steel:** with a polyester urethane coat finish. The 950 hour salt spray finish resists corrosion 50% better than comparable units.
- **Heavy-Gauge Full Perimeter Base Rails:** Facilitates forklift handling and curb mounting.
- **Convertible Air Delivery:** Horizontal or downflow to accommodate rooftop or horizontal applications.
- **Corrosion-Resistant Drain Pan:** Quickly drains away evaporator condensate.
- **One Piece Top for Great Fit and Finish, Total Seal:** Well designed, quality construction. Drip edge on top panels whisks away rainwater. Embossed bottom pan keeps blower component compartment dry.
- **SmartStart® Control Board:** Provides extended life to igniters using hot surface ignition technology. Programmed to learn the heat-up characteristics of the igniter, then adapt the ignition time to the characteristics of the furnace so the igniter is energized appropriately.
- **Hot Surface igniter:** Innovative application of an appliance type igniter with a 20 year history of reliability.
- **Energy Efficient Variable Speed ECM Blower:** Advanced motor technology provides 16 field selectable cooling and 8 for heating. Extra quiet and smooth blower on and off cycles, automatically adjusts to different static loads.

IDENTIFICATION CODE

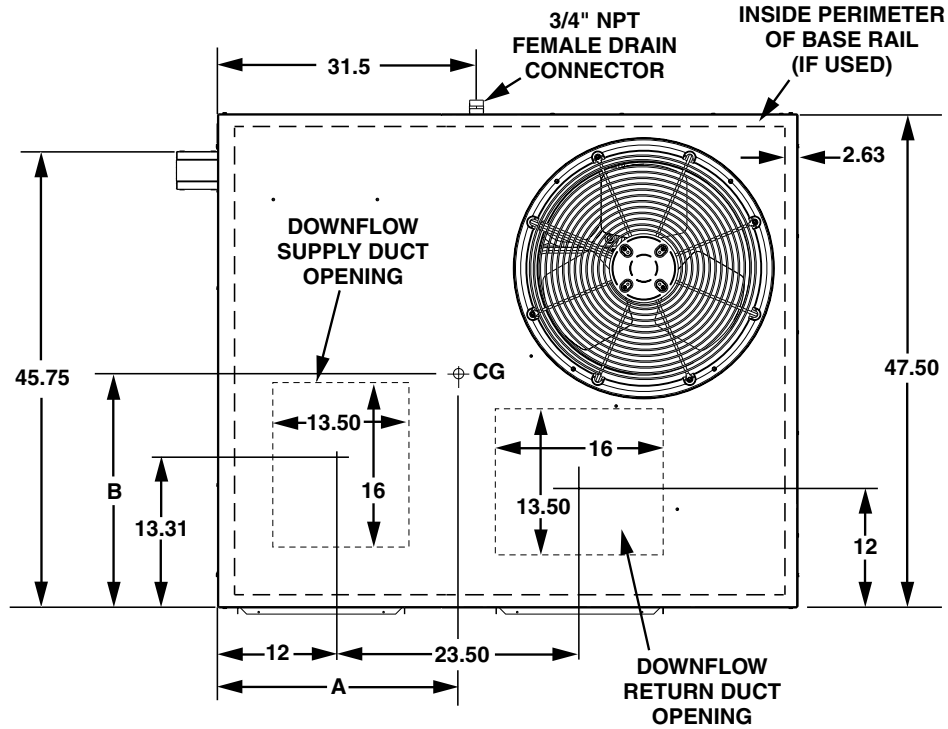


SPECIFICATIONS

Single Phase

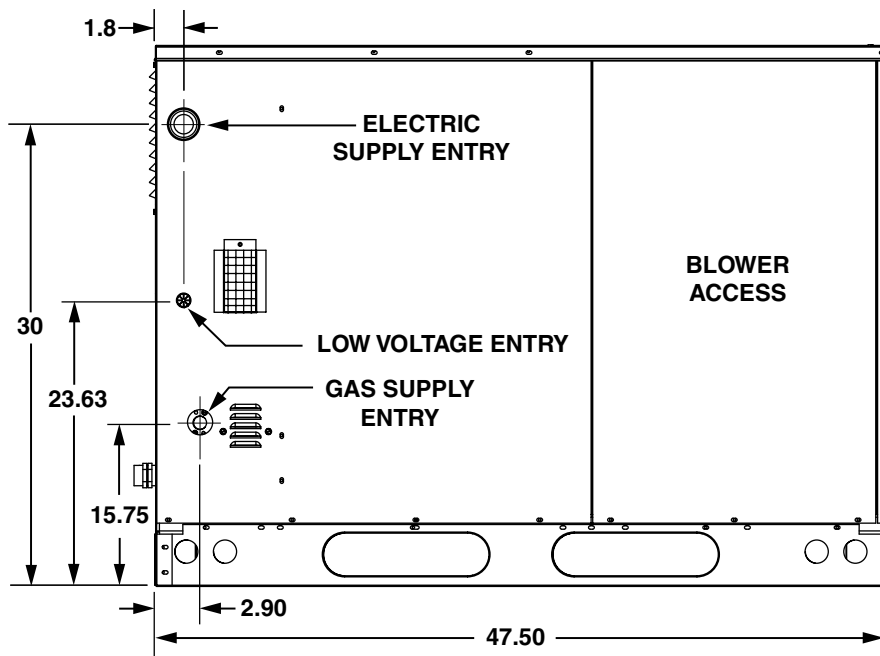
MODEL	E24K080X	E36K100X	E48K120X	E60K120X
Heating Input High/Low (Btuh)	80,000 / 52,000	100,000 / 65,000	120,000 / 78,000	120,000 / 78,000
Heating Output High/Low (Btuh)	64,800 / 42,120	81,000 / 52,650	97,200 / 63,180	97,200 / 63,180
Nominal Capacity-Cooling (Btuh)	24,000	35,600	45,500	54,500
Heating Efficiency-AFUE (%)	81	81	81	81
Cooling Efficiency -- SEER	20	20	20	20
Cooling Efficiency -- EER (BTU/WATT)	13	13	12.8	12
Electrical Rating - 60 Hz, Single Phase				
Operating Voltage Range	187 - 253	187 - 253	187 - 253	187 - 253
Minimum Circuit Ampacity	20.9	26.7	32.8	40.8
Max. Overcurrent Protection	30	40	50	60
Compressor Data, Rotary, Brushless DC				
Volts	208 / 230	208 / 230	208 / 230	208 / 230
Rated Load Amps	11.6	16.2	17.6	24.0
Lock Rotor Amps	NA	NA	NA	NA
Indoor Blower, Variable Speed, Brushless DC				
Wheel Diameter	11 x 8	11 x 8	11 x 10	11 x 10
Motor HP	1/2	1/2	1	1
Motor Amps	3.8	3.8	7.0	7.0
Outdoor Fan, Variable Speed, Brushless DC				
Motor HP	1/3	1/3	1/2	1/2
Motor Amps	2.6	2.6	3.8	3.8
Fan Diameter	24"	24"	24"	24"
Refrigerant Charge (oz)	96	96	136	150
Sound Rating	TBD	TBD	TBD	TBD

DIMENSIONS



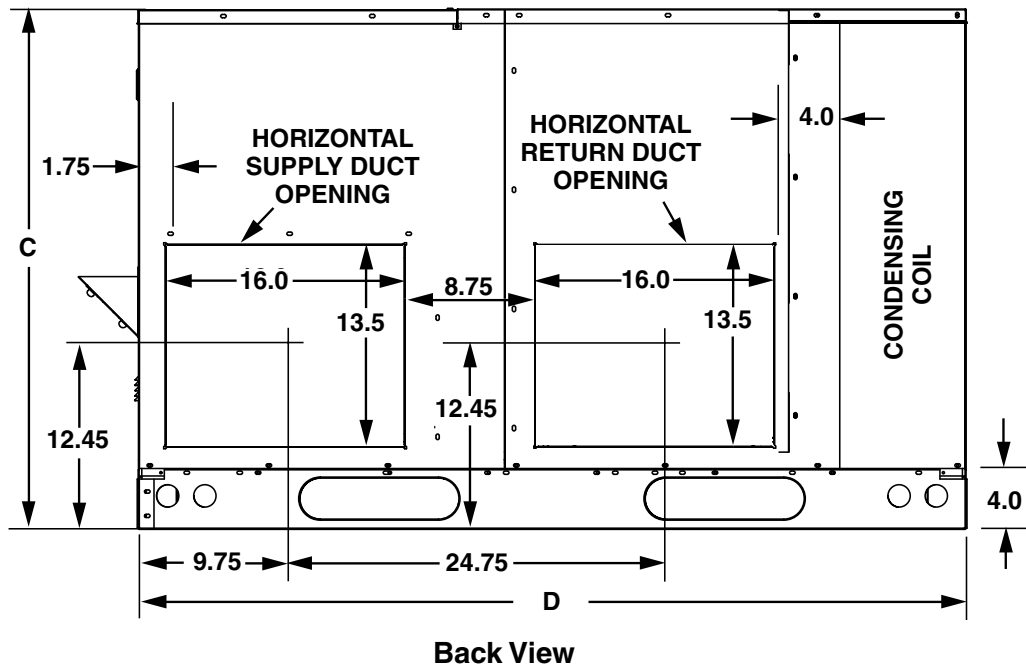
Top View

Model Number	Unit Weight	Shipping Weight	Center of Gravity		Height (in inches) C		Length D
			A	B	with base rails	without base rails	
E24K080X	460	470	26.0	27.0	39.0	35.3	55.8
E36K100X	480	490	26.0	27.0	39.0	35.3	55.8
E48K120X	609	618	26.0	27.0	47.0	43.3	55.8
E60K120X	659	675	30.0	26.5	47.0	43.3	63.6



Side View

DIMENSIONS continued



ACCESSORIES

Description	Part Number
Roof Curb (8")	547830
Roof Curb (14")	547831
Roof Curb (18")	547850
Roof Curb (24")	547851
Cap, Duct Adapter, 12" Round	913811A
Cap, Duct Adapter, 14" Round	913812A
U.S. LP Gas Conversion Kit (0 ft to 10,000 ft above sea level)	904404A
Canadian LP Gas Conversion Kit (0 to 4,500 ft above sea level)	904405A
Skirt Trim Kit 24,36,48	919729
Skirt Trim Kit 60	920936
Extreme High Wind Kit - Roof Curb Mount	903696
Extreme High Wind Kit - Ground Mount	903695
Manual Fresh Air Damper	547832
Motorized Fresh Air Damper	547840

AIRFLOW DATA

Nominal Airflow Rates and Temperature Rise

Model Number	Heating Input (Btuh)	Heating Output (Btuh)	CFM Range	Heating Rise Range (°F)	Cooling Output (Btuh)	Blower Size	Motor (HP)
E24K080X	80,000	64,800	1025 - 1375	35-65	24,000	11 x 8	1/2
	52,000	42,120	800 - 1050				
E36K100X	100,000	81,000	1158 - 1500	40-70	35,600	11 x 8	1/2
	65,000	52,650	875 - 1200				
E48K120X	120,000	97,200	1550 - 2000	40-70	45,500	11 X 10	1
	78,000	63,180	1200 - 1575				
E60K120X	120,000	97,200	1550 - 2000	40-70	54,500	11 X 10	1
	78,000	63,180	1200 - 1575				

NOTE: CFM and Rise are independent of ESP in a variable speed blower.

Cooling Airflow Settings

2 Ton CFM Settings					3 Ton CFM Settings					4 Ton CFM Settings					5 Ton CFM Settings												
Cooling Blower Selector Setting					Recommended Airflow (High CFM)	Cooling Blower Selector Setting					Recommended Airflow (High CFM)	Cooling Blower Selector Setting					Recommended Airflow (High CFM)										
(1)	5	6	7	8		(1)	5	6	7	8		(1)	5	6	7	8		(1)	5	6	7	8					
0	0	0	0	0	2 TON	650	1	0	0	0	0	3 TON	900	0	0	0	0	0	4 TON	1375	1	0	0	0	0	5 TON	1500
0	0	0	0	1		680	1	0	0	0	1		935	0	0	0	0	1		1400	1	0	0	0	1		1540
0	0	0	1	0		710	1	0	0	1	0		970	0	0	0	1	0		1425	1	0	0	1	0		1580
0	0	0	1	1		740	1	0	0	1	1		1005	0	0	0	1	1		1450	1	0	0	1	1		1620
0	0	1	0	0		770	1	0	1	0	0		1040	0	0	1	0	0		1475	1	0	1	0	0		1660
0	0	1	0	1		800	1	0	1	0	1		1075	0	0	1	0	1		1500	1	0	1	0	1		1700
0	0	1	1	0		830	1	0	1	1	0		1110	0	0	1	1	0		1525	1	0	1	1	0		1740
0	0	1	1	1		860	1	0	1	1	1		1145	0	0	1	1	1		1550	1	0	1	1	1		1780
0	1	0	0	0		890	1	1	0	0	0		1180	0	1	0	0	0		1575	1	1	0	0	0		1820
0	1	0	0	1		920	1	1	0	0	1		1215	0	1	0	0	1		1600	1	1	0	0	1		1860
0	1	0	1	0		950	1	1	0	1	0		1250	0	1	0	1	0		1625	1	1	0	1	0		1900
0	1	0	1	1		980	1	1	0	1	1		1285	0	1	0	1	1		1650	1	1	0	1	1		1940
0	1	1	0	0		1010	1	1	1	0	0		1320	0	1	1	0	0		1675	1	1	1	0	0		1980
0	1	1	0	1		1040	1	1	1	0	1		1355	0	1	1	0	1		1700	1	1	1	0	1		2020
0	1	1	1	0		1070	1	1	1	1	0		1390	0	1	1	1	0		1750	1	1	1	1	0		2060
0	1	1	1	1		1100	1	1	1	1	1		1425	0	1	1	1	1		1800	1	1	1	1	1		2100

NOTES: Dip switch positions - 0 = OFF 1 = ON

- Switch (1) selects blower program in conjunction with motor horsepower. 0 = 2 or 4 Ton, 1 = 3 or 5 Ton.
- Recommended CFM's (factory settings) are highlighted in **bold**.

Heating Airflow Settings

Heating Blower Selector Setting	2 Ton CFM Settings				Heating Blower Selector Setting	3 Ton CFM Settings				Heating Blower Selector Setting	4 Ton CFM Settings				Heating Blower Selector Setting	5 Ton CFM Settings															
	Low Heat		High Heat			Low Heat		High Heat			Low Heat		High Heat			Low Heat		High Heat													
	64,800	80,000	81,000	100,000		97,200	120,000	97,200	120,000																						
(1)	2	3	4	CFM	Rise	CFM	Rise	(1)	2	3	4	CFM	Rise	CFM	Rise	(1)	2	3	4	CFM	Rise	CFM	Rise								
0	0	0	0	800	50	1025	59	1	0	0	0	875	56	1150	66	0	0	0	0	1200	54	1550	57	1	0	0	0	1200	54	1550	57
0	0	0	1	850	48	1075	57	1	0	0	1	925	53	1200	63	0	0	0	1	1250	50	1650	54	1	0	0	1	1250	50	1650	54
0	0	1	0	875	46	1125	55	1	0	1	0	975	50	1300	58	0	0	1	0	1300	47	1750	52	1	0	1	0	1300	47	1750	52
0	0	1	1	925	44	1175	53	1	0	1	1	1000	48	1350	56	0	0	1	1	1375	44	1800	50	1	0	1	1	1375	44	1800	50
0	1	0	0	950	42	1225	51	1	1	0	0	1050	46	1375	55	0	1	0	0	1450	42	1850	48	1	1	0	0	1450	42	1850	48
0	1	0	1	1000	40	1275	49	1	1	0	1	1100	44	1400	54	0	1	0	1	1475	40	1900	47	1	1	0	1	1475	40	1900	47
0	1	1	0	1025	39	1325	47	1	1	1	0	1150	42	1450	52	0	1	1	0	1525	39	1950	46	1	1	1	0	1525	39	1950	46
0	1	1	1	1050	38	1375	45	1	1	1	1	1200	41	1500	51	0	1	1	1	1575	38	2000	45	1	1	1	1	1575	38	2000	45

- Switch (1) selects blower program in conjunction with motor horsepower. 0 = 2 or 4 Ton, 1 = 3 or 5 Ton.
- Recommended CFM's (Factory settings) and temperature rises are highlighted in bold. Use of any other setting may result in nuisance trips.
- Temperature rises in tables are approximate. Actual temperature rises may vary.

PACKAGE GAS/ELECTRIC

E24K

O.D.T			65°F			75°F			85°F			95°F			105°F			115°F			125°F		
CFM	E.D.B.	E.W.B.	T.C.	S.C.	K.W.	T.C.	S.C.	K.W.	T.C.	S.C.	K.W.	T.C.	S.C.	K.W.	T.C.	S.C.	K.W.	T.C.	S.C.	K.W.	T.C.	S.C.	K.W.
Rated Speed 800	80	62	26.7	24.3	1.2	24.9	23.1	1.4	22.8	22.5	1.5	21.3	21.3	1.8	19.6	19.6	2.0	17.5	17.5	2.3	12.6	12.6	2.5
	80	67	30.1	20.5	1.1	28.3	19.7	1.3	25.9	18.6	1.5	24.1	17.8	1.8	21.6	16.7	2.1	19.2	15.6	2.4	12.6	12.6	2.5
	80	72	33.2	16.3	1.1	31.2	15.3	1.3	29.1	14.3	1.5	26.8	13.6	1.8	24.6	12.8	2.1	22.2	11.9	2.4	15.3	9.5	2.5
	75	63	27.2	19.5	1.2	25.6	18.8	1.4	23.5	17.7	1.6	21.3	16.6	1.8	18.9	15.5	2.1	16.9	14.3	2.4	10.6	10.6	2.5
Low Speed 600	80	62	13.0	13.0	0.6	11.1	11.1	0.7	9.9	9.8	0.8	8.5	8.5	0.9	7.3	7.2	1.1	5.7	5.6	1.2	1.3	1.3	1.4
	80	67	14.0	11.8	0.5	11.9	10.9	0.6	10.2	10.1	0.7	8.6	8.5	0.9	7.1	7.1	1.1	5.6	5.5	1.2	0.7	0.7	1.3
	80	72	16.6	9.2	0.5	14.7	8.2	0.6	13.3	7.6	0.8	11.6	6.9	0.9	9.6	6.0	1.1	7.9	5.4	1.3	0.6	0.6	1.3
	75	63	12.4	11.0	0.5	10.6	10.1	0.6	8.9	8.9	0.8	7.9	7.9	0.9	6.2	6.6	1.1	5.9	5.9	1.3	0.5	0.5	1.3
Boost Speed 800	80	62	31.2	26.1	1.6	29.3	25.2	1.9	27.8	24.3	2.1	25.7	24.0	2.3	21.8	21.8	2.6	20.6	21.1	3.0	17.0	16.9	3.2
	80	67	35.3	22.3	1.6	33.0	21.4	1.9	30.7	20.3	2.2	28.4	19.3	2.5	26.2	18.2	2.8	23.9	17.1	3.1	17.9	15.0	3.3
	80	72	38.8	18.1	1.6	36.9	17.2	1.8	34.8	16.3	2.1	32.4	15.3	2.4	29.9	14.3	2.8	27.2	13.3	3.1	21.8	11.1	3.3
	75	63	31.8	21.3	1.7	30.0	20.5	1.9	27.9	19.3	2.2	25.8	18.2	2.5	23.4	17.1	2.8	21.2	16.3	3.0	15.3	13.7	3.3

E36K

O.D.T			65°F			75°F			85°F			95°F			105°F			115°F			125°F		
CFM	E.D.B.	E.W.B.	T.C.	S.C.	K.W.	T.C.	S.C.	K.W.	T.C.	S.C.	K.W.	T.C.	S.C.	K.W.	T.C.	S.C.	K.W.	T.C.	S.C.	K.W.	T.C.	S.C.	K.W.
Rated Speed 1175	80	62	40.7	37.3	1.9	39.1	35.8	2.1	36.1	34.3	2.4	33.5	32.2	2.8	31.2	30.0	3.1	27.7	26.9	3.4	21.1	21.1	3.1
	80	67	43.4	30.4	1.9	40.6	29.1	2.1	37.8	27.8	2.5	35.3	26.7	2.8	32.7	25.4	3.1	29.7	24.0	3.5	20.9	20.3	3.1
	80	72	47.8	23.6	1.7	45.1	22.2	2.1	42.3	20.8	2.4	39.6	19.8	2.8	36.1	18.7	3.2	33.1	17.3	3.5	23.1	14.1	3.0
	75	63	40.1	29.3	1.9	37.7	28.1	2.2	34.7	26.7	2.5	32.2	25.5	2.8	29.6	23.5	3.1	26.5	22.3	3.5	19.5	19.0	3.3
Low Speed 650	80	62	16.0	15.5	0.4	14.6	14.1	0.5	13.3	12.9	0.6	12.0	11.4	0.8	10.7	10.2	1.0	9.0	8.5	1.1	7.9	7.4	1.3
	80	67	16.6	14.2	0.4	15.2	13.5	0.5	13.5	12.7	0.7	12.2	12.0	0.8	10.6	10.9	1.0	9.2	9.2	1.1	7.7	7.3	1.3
	80	72	19.5	11.2	0.4	17.4	10.4	0.5	15.7	9.7	0.6	14.4	9.0	0.8	12.7	8.3	1.0	10.5	7.6	1.1	7.8	6.8	1.3
	75	63	15.0	13.6	0.5	13.2	12.7	0.6	12.0	12.0	0.7	10.6	11.0	0.8	9.9	9.3	1.0	5.2	7.9	1.1	6.5	6.3	1.3
Boost Speed 1175	80	62	46.0	39.3	2.5	43.5	38.4	2.8	40.6	36.8	3.1	37.7	35.4	3.5	34.8	34.0	3.9	32.4	31.9	4.4	21.7	21.7	3.2
	80	67	50.5	33.1	2.5	48.0	31.7	2.8	45.3	30.3	3.2	42.2	29.0	3.6	39.5	27.4	4.0	36.2	26.1	4.5	23.5	21.5	3.5
	80	72	55.3	26.4	2.5	53.1	25.2	2.9	49.9	23.8	3.2	46.7	22.6	3.6	43.4	21.3	4.0	39.7	19.9	4.5	27.0	15.4	3.5
	75	63	46.4	32.1	2.5	43.9	30.9	2.8	41.1	29.1	3.2	38.1	27.8	3.6	35.4	26.5	4.0	31.9	24.8	4.4	19.2	19.2	3.2

E48K

O.D.T			65°F			75°F			85°F			95°F			105°F			115°F			125°F		
CFM	E.D.B.	E.W.B.	T.C.	S.C.	KW	T.C.	S.C.	KW	T.C.	S.C.	KW	T.C.	S.C.	KW	T.C.	S.C.	KW	T.C.	S.C.	KW	T.C.	S.C.	KW
Rated Speed 1450	80	62	48.1	42.5	2.5	45.1	40.4	2.8	42.2	38.5	3.2	39.7	36.9	3.6	35.6	35.4	4.1	32.3	32.2	4.6	18.3	18.2	2.9
	80	67	52.7	35.6	2.5	49.3	34.5	2.8	46.1	33.0	3.2	43.5	31.5	3.6	39.8	29.5	4.1	34.9	28.1	4.6	18.2	18.2	2.9
	80	72	58.2	28.8	2.4	55.1	27.6	2.8	51.2	25.7	3.2	48.3	24.4	3.7	44.2	22.9	4.2	35.6	20.0	4.5	19.4	13.4	2.9
	75	63	48.8	34.2	2.5	45.5	32.8	2.9	42.4	31.4	3.2	39.8	29.7	3.6	35.6	29.1	4.1	30.3	26.1	4.5	13.5	13.5	2.8
Low Speed 750	80	62	15.1	15.1	0.5	14.3	14.3	0.6	13.0	13.0	0.7	11.6	11.6	0.9	10.1	10.1	1.1	6.1	6.1	1.3	4.9	4.9	1.4
	80	67	16.5	13.1	0.4	14.9	12.5	0.6	13.4	12.2	0.7	11.7	11.4	0.9	10.2	10.2	1.1	8.5	8.5	1.3	6.9	6.9	1.5
	80	72	18.4	10.3	0.4	16.8	9.6	0.5	15.0	8.7	0.7	13.5	7.9	0.9	11.6	7.3	1.0	9.7	6.3	1.3	7.3	6.0	1.5
	75	63	15.1	12.6	0.5	13.5	11.5	0.6	12.1	10.7	0.7	10.6	10.0	0.9	8.8	8.8	1.2	7.1	7.1	1.3	5.7	5.7	1.5
Boost Speed 1450	80	62	56.2	48.1	3.2	52.5	46.5	3.6	50.1	45.0	4.1	46.7	42.8	4.6	42.4	41.2	5.2	34.9	34.7	4.7	21.0	20.9	3.3
	80	67	62.6	42.1	3.2	59.3	40.5	3.7	55.0	39.0	4.2	51.2	37.3	4.7	47.3	35.0	5.3	34.0	29.1	4.4	18.5	18.5	3.0
	80	72	68.2	33.2	3.2	64.8	31.7	3.7	61.4	30.3	4.2	57.1	28.7	4.7	47.7	24.8	5.1	41.0	21.3	4.7	24.3	15.8	3.5
	75	63	57.9	39.8	3.2	54.6	37.9	3.7	50.6	36.3	4.2	46.9	34.4	4.7	43.0	32.2	5.2	32.0	27.3	4.6	19.8	19.8	3.7

PACKAGE GAS/ELECTRIC (CONTINUED)

E60K

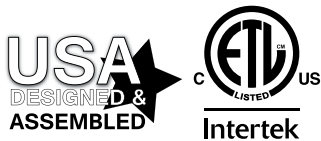
O.D.T			65°F			75°F			85°F			95°F			105°F			115°F			125°F		
CFM	E.D.B.	E.W.B.	T.C.	S.C.	KW	T.C.	S.C.	KW	T.C.	S.C.	KW	T.C.	S.C.	KW	T.C.	S.C.	KW	T.C.	S.C.	KW	T.C.	S.C.	KW
Rated Speed 1640	80	62	58.5	53.3	3.2	55.7	51.5	3.6	53.8	50.7	4.0	52.7	48.8	4.5	49.6	46.2	4.9	46.4	46.2	4.9	29.6	29.2	4.2
	80	67	64.4	44.2	3.2	61.0	42.7	3.6	57.9	41.1	4.0	54.5	39.8	4.5	49.9	37.5	5.0	37.2	33.2	4.4	29.9	29.0	4.2
	80	72	69.9	34.7	3.2	67.0	33.4	3.6	63.7	31.6	4.0	59.5	30.0	4.5	55.2	28.2	5.0	47.5	25.8	5.1	32.3	20.3	4.2
	75	63	59.5	42.2	3.2	56.7	40.8	3.6	53.3	39.1	4.0	49.9	37.5	4.5	46.0	36.0	4.9	36.9	30.9	4.8	23.8	23.8	3.7
Low Speed 900	80	62	21.3	20.9	0.6	19.9	19.6	0.8	18.4	18.2	0.9	16.7	16.7	1.1	15.3	15.3	1.3	13.4	13.6	1.5	11.8	11.8	1.7
	80	67	22.1	19.1	0.6	20.4	18.5	0.8	18.6	17.7	0.9	16.9	16.9	1.1	15.0	16.1	1.3	13.4	14.6	1.5	11.6	11.6	1.7
	80	72	24.8	14.5	0.6	22.9	14.6	0.7	21.3	13.4	0.9	19.4	12.4	1.1	17.6	11.4	1.3	15.1	10.5	1.5	12.3	9.8	1.7
	75	63	20.5	18.3	0.6	18.8	17.5	0.8	17.0	16.7	1.0	15.4	15.4	1.1	13.6	14.8	1.3	12.1	13.2	1.5	10.6	10.6	1.7
Boost Speed 1640	80	62	65.8	56.4	4.4	64.1	54.8	4.6	60.4	53.3	5.1	61.3	53.2	5.5	57.5	51.2	6.2	42.7	38.7	4.7	29.8	29.0	4.2
	80	67	73.5	47.5	4.1	71.1	46.3	4.7	67.1	44.6	5.2	62.5	43.0	5.8	57.0	40.2	6.0	33.8	33.0	4.6	29.9	29.0	4.1
	80	72	78.8	38.4	4.2	77.0	37.1	4.7	73.5	35.1	5.3	68.6	33.1	5.9	62.6	30.8	6.2	47.2	25.6	5.1	31.9	20.4	4.2
	75	63	68.7	46.6	4.1	65.7	45.1	4.6	62.3	43.5	5.1	58.3	41.3	5.7	50.8	37.7	6.0	36.8	32.4	4.7	24.3	24.3	4.1

T.C. Total Cooling, MBTUH

S.C. Sensible Cooling, MBTUH

K.W. Total Kilowatts

Note: System speed may be reduced at temperatures exceeding 115° to protect compressor and inverter.



MAYTAG

Before purchasing this appliance, read important energy cost and efficiency information available from your retailer. Specifications and illustrations subject to change without notice and without incurring obligations.

Manufactured under license by NORDYNE, O'Fallon, MO. ©Registered Trademark/™ Trademark of Maytag Corporation or its related companies. ©2012. All rights reserved.

942D-0512

Printed in U.S.A. (0/12)