

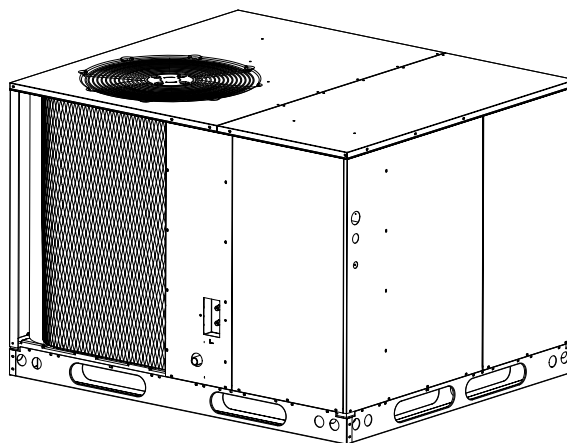


GP6SD Series

Single Packaged Air Conditioning

13 SEER, R-410A, 3, 4, 5 Ton Units

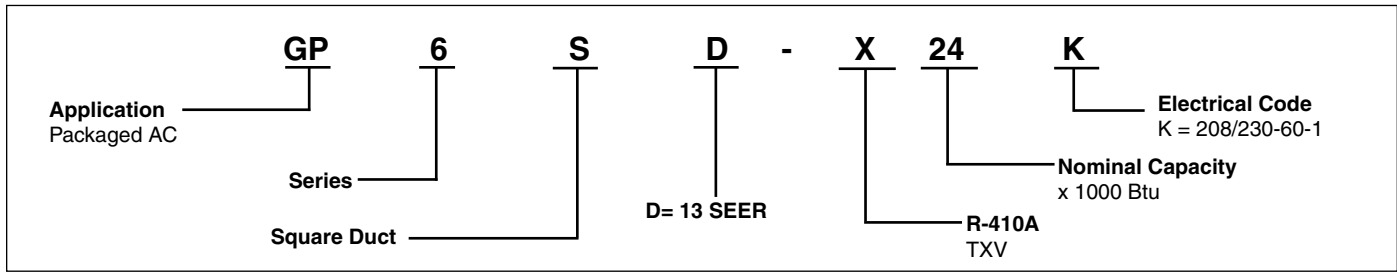
The GP6 Series single packaged units are high efficiency self contained cooling and heating units that can be installed on a roof or on a slab. The convertible unit design makes installations simple in all applications. Units are ETL and ETLc listed.



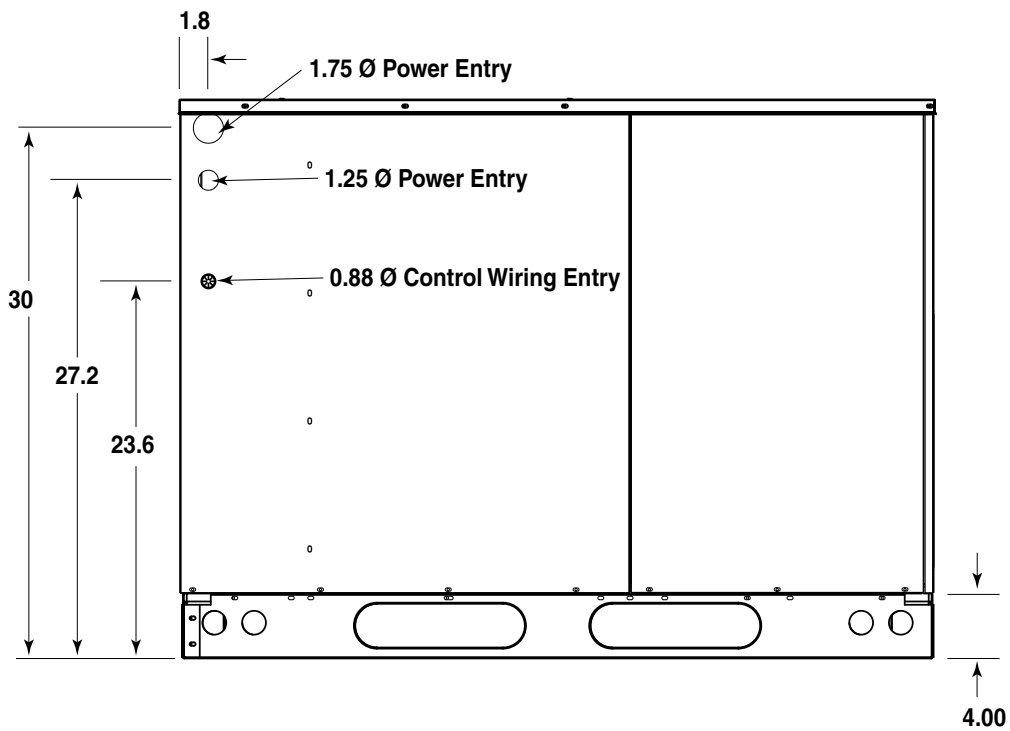
FEATURES and BENEFITS

- **Warranty**
 - This product offers a 10-year all-parts warranty.
 - This product offers a 1 Year Quality Pledge to replace the unit if the compressor fails in the first year of operation, to the original owner.
 - Consumer product registration required for 10 year All Parts Warranty and Quality Pledge within a limited period of time after the installation. See current warranty document or visit our consumer web site listed on the back of this document for warranty details.
- **Compact Footprint/Low Profile**
 - Easy to handle and transport.
- **Heavy-Gauge, Full Perimeter Base Rails**
 - Facilitates forklift handling and curb mounting.
- **Convertible Air Delivery**
 - Horizontal or downflow to accommodate rooftop or horizontal application.
- **Galvanized Steel Cabinet**
 - with polyurethane finish provides 950 hour salt spray protection.
- **Plastic Mesh Hail Guard**
 - Will never rust and protect the coil from being damaged by balls, lawnmowers, hail etc.
- **Externally Accessible Service Ports**
 - Quick access to refrigerant system without disrupting operation.
- **Access to Controls and Major Components**
 - Easy in and out service.
- **R-410A Refrigerant**
 - Environmentally friendly.
- **Corrosion-Resistant Drain Pan**
 - Quickly drains away evaporator condensate.
- **Service Access Panels**
 - To all major components and the compressor. Designed to make servicing easier for the Contractor.
- **Easy to Install**
 - Electric heat strip provides up to 20 KW of heat output.
- **Proven, Industry Standard Components**
 - Easier service and availability.
- **Quiet Operation**
 - Low vibration. 20" fan blade combined with custom venturi condenser fan.
- **Accessories**
 - Roof curbs, economizers, fresh air dampers and more.
- **High Pressure Switch**
 - Added compressor protection.

MODEL IDENTIFICATION CODE



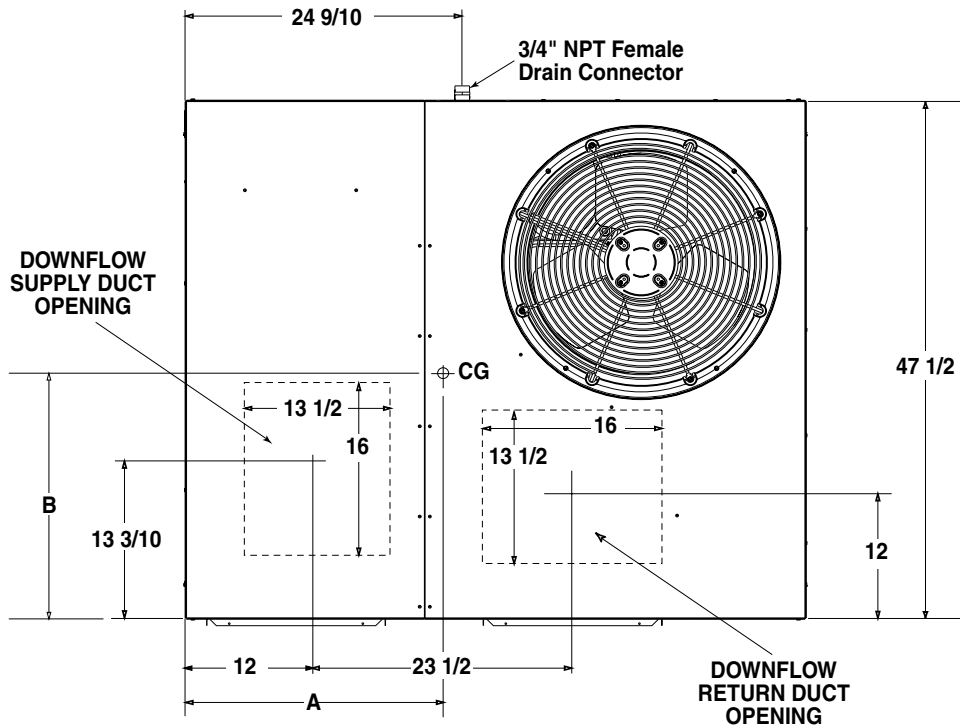
DIMENSIONS



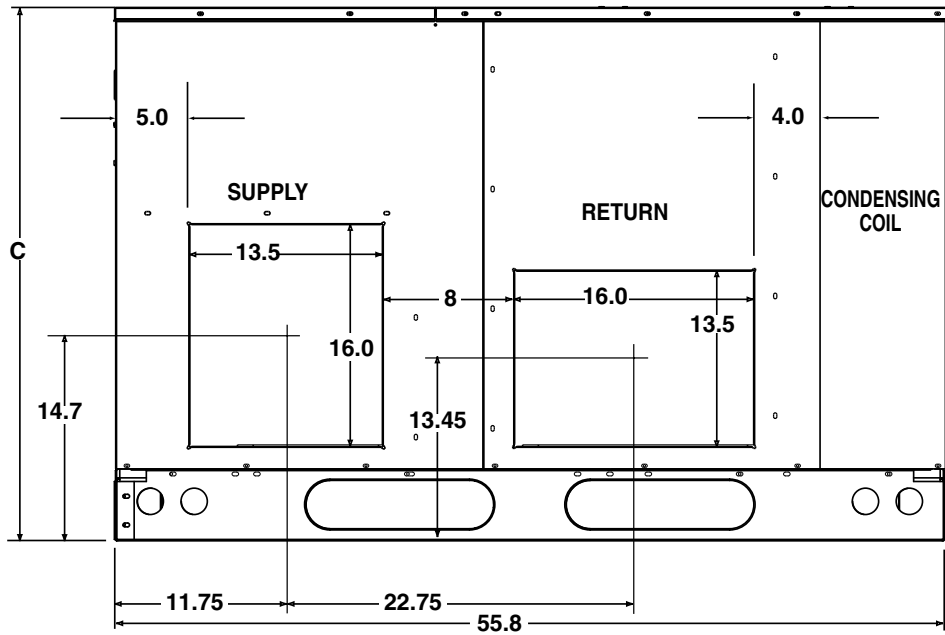
Side View

Model Number GP6SD	Unit Weight	Center of Gravity		Height (in inches) C	
		A	B	with base rails	without base rails
X36	405	29.5	26.0	37.7	35.3
X48	415	29.5	26.5	37.7	35.3
X60	480	30.0	27.5	41.7	39.3

DIMENSIONS Continued



Top View



Back (Duct) View

SPECIFICATIONS

Model Number	GP6SD		
	X36K	X48K	X60K
Performance			
Capacity -Cooling BTUH	34,200	46,000	58,000
Efficiency - SEER	13.3	13.0	13.3
EER (Btuh/watt)	11.2	11.5	11.0
Electrical Rating - 60 Hz			
Phase	1	1	1
Operating Voltage Range	187 - 253	187 - 253	187 - 253
Compressor Data			
Volts	208 / 230	208 / 230	208 / 230
Rated Load Amps	18.6	24.3	29.3
Lock Rotor Amps	79	117	134
Indoor Blower			
Type / No. of Speeds	DD / 3	DD / 3	Fixed Torque
Motor - HP / RPM	1/4 - 1075	1/2 - 1080	3/4
Motor - Amps	1.3	3.1	6.0
Outdoor Fan			
Motor - HP / RPM	1/4 - 1100	1/4 - 1100	1/4 - 1100
Motor - Amps	1.2	1.2	1.2
Fan Diameter / CFM	20/3600	20/3800	20/3800
Refrigerant Charge - Oz.	110	168	192
Shipping Weight	415	425	490

BLOWER PERFORMANCE

Model Number		External Static Pressure Drop - inches water column							
GP6SD-		0.1	0.2	0.3	0.4	0.5	0.6	0.7	0.8
X36	High	1610	1562	1504	1442	1365	1295	1214	1109
	Medium	1367	1320	1271	1205	1138	1065	968	845
	* Low	1153	1102	1043	990	912	831	731	618
X48	High	2361	2278	2218	2141	2066	1976	1870	1758
	Medium	2026	1982	1935	1889	1822	1744	1660	1554
	* Low	1584	1568	1532	1489	1445	1387	1322	1236
X60	** Tap T1	1515	1450	1380	1350	1280	1250	1200	1160
	** Tap T2	1580	1520	1460	1400	1300	1280	1260	1230
	* Tap T3	1740	1690	1650	1600	1360	1500	1460	1390
	Tap T4	1960	1910	1840	1820	1540	1740	1700	1600
	Tap T5	2090	2050	2010	1975	1780	1900	1850	1790

* Denotes factory set cooling speed

** Denotes factory set electric heating speed

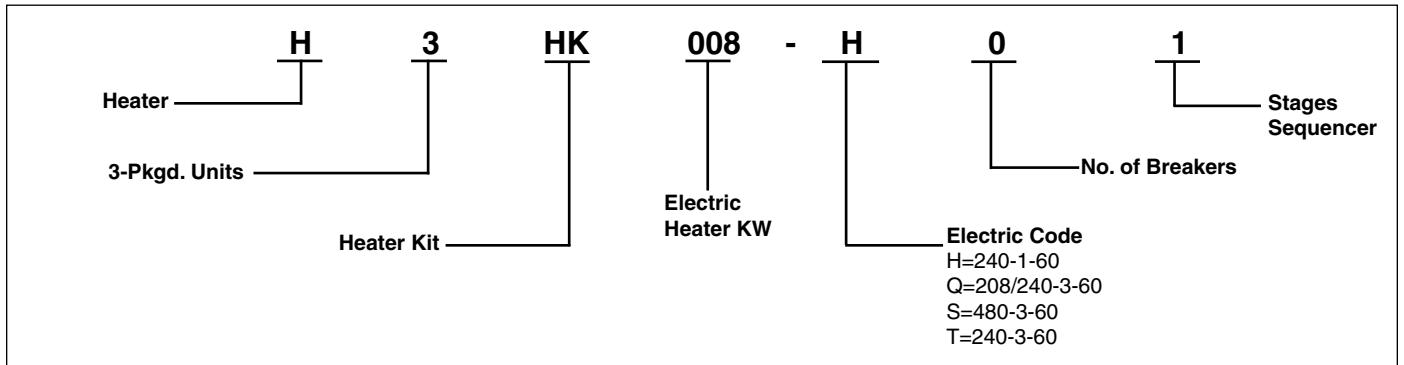
NOTE: Airflow performance is with a dry coil

HEATER APPLICATION MATRIX

Model Number	H3HK-005H-01B	H3HK-008H-01B	H3HK-010H-01B	H3HK-015H-01B	H3HK-020H-01B	H3HK-015H-21B	H3HK-020H-21B
	917166B	917167B	917168B	917169B	917170B	917172B	917173B
GP6SD-X36K	X	X	X	X(2)	NA	X	NA
GP6SD-X48K	X	X	X	X(2)	X(2)	X	X
GP6SD-X60K	X	X	X	X(2)	X(2)	X	X

NA = Not Applicable.
 () = Number of internal circuit breaker kits required.
 X = Branch Circuit Protection Only.

MODEL IDENTIFICATION CODE



ELECTRICAL DATA

Model Number	Heater Installed Nom. KW	Single Supply Circuit Option					Multiple Supply Circuit Option														
							Circuit A (Compressor & Fan)					Circuit B (Blower & Heater)					Circuit C (Heater Only)				
		Minimum Circuit Amp.	Rec. Wire Gage (60°C Cu)	Rec. Wire Gage (75°C Cu)	Rec. Wire Gage (90°C Cu)	Maximum Over-current Rating *	Minimum Circuit Amp.	Rec. Wire Gage (60°C Cu)	Rec. Wire Gage (75°C Cu)	Rec. Wire Gage (90°C Cu)	Maximum Over-current Rating *	Minimum Circuit Amp.	Rec. Wire Gage (60°C Cu)	Rec. Wire Gage (75°C Cu)	Rec. Wire Gage (90°C Cu)	Maximum Over-current Rating *	Minimum Circuit Amp.	Rec. Wire Gage (60°C Cu)	Rec. Wire Gage (75°C Cu)	Rec. Wire Gage (90°C Cu)	Maximum Over-current Rating *
GP6SD-X36K	0	25.8	10	10	10	40	-	-	-	-	-	-	-	-	-	-	-	-	-	-	-
	5	26.6	10	10	10	40	-	-	-	-	-	-	-	-	-	-	-	-	-	-	-
	8	41.2	6	8	8	45	-	-	-	-	-	-	-	-	-	-	-	-	-	-	-
	10	51.6	6	6	8	60	-	-	-	-	-	-	-	-	-	-	-	-	-	-	-
	15	76.6	3	4	4	80	50.0	6	8	8	60	26.6	10	10	10	30	-	-	-	-	-
GP6SD-X48K	0	34.7	8	8	8	50	-	-	-	-	-	-	-	-	-	-	-	-	-	-	-
	5	34.7	8	8	8	50	-	-	-	-	-	-	-	-	-	-	-	-	-	-	-
	8	43.5	6	8	8	50	-	-	-	-	-	-	-	-	-	-	-	-	-	-	-
	10	53.9	6	6	8	60	-	-	-	-	-	-	-	-	-	-	-	-	-	-	-
	15	78.9	3	4	4	80	50	6	8	8	50	28.9	10	10	10	30	-	-	-	-	-
20	103.9	1	2	3	110	50	6	8	8	50	53.9	6	6	8	60	-	-	-	-	-	
GP6SD-X60K	0	43.8	6	8	8	70	-	-	-	-	-	-	-	-	-	-	-	-	-	-	-
	5	43.8	6	8	8	70	-	-	-	-	-	-	-	-	-	-	-	-	-	-	-
	8	47.1	6	8	8	70	-	-	-	-	-	-	-	-	-	-	-	-	-	-	-
	10	57.5	4	6	6	70	37.8	8	8	8	60	57.5	4	6	6	60	-	-	-	-	-
	15	82.5	3	4	4	90	50	6	8	8	60	32.5	8	8	8	35	-	-	-	-	-
20	107.5	1	2	3	110	37.8	8	8	8	60	57.5	4	6	6	60	50	6	8	8	60	

*If electric heat is installed, and the overcurrent rating exceeds 60A, internal circuit breakers must be installed in addition to branch circuit protection at the distribution panel.

ACCESSORIES

Description	Part Number
Roof Curb (8")	547830
Roof Curb (14")	547831
Roof Curb (18")	547850
Roof Curb (24")	547851
Supply/return transition, 16"	547834
Supply/return transition, 18"	547835
Concentric diffuser, flush, 16"	547836
Concentric diffuser, flush, 18"	547837
Concentric diffuser, step down 16"	547838
Concentric diffuser, step down 18"	547839
Manual Fresh Air Damper	547832
Motorized Fresh Air Damper	547840
Economizer, downflow w/filter (does not require filter kit) modulating	558870
Economizer, horizontal modulating	547841
Power Exhaust, downflow economizer (special order)	547842
Power Exhaust horizontal economizer (special order)	547843
HOOD TYPE HAIL GUARD 34" X 76" GP6SD-X36, GP6SD-X48	547846
HOOD TYPE HAIL GUARD 38" X 76" GP6SD -X60	547847
DUCT SMOKE DETECTOR PHOTO ELEC	547892
MULTI SIGNAL CONTROL	547893
SAMPLING TUBE ST3	547894
SAMPLING TUBE ST5	547895
Filter Rack, All Downflow Applications (not required with economizer)	547885
Filter Kit (not required with economizer) GP6SD-X36, GP6SD-X48	547888
Filter Kit (not required with economizer) GP6SD-X60	547889
Universal Hard Start Kit	912933
Low Ambient Kit	918837
Skirt Trim Kit	919729
Extreme High Wind Kit - Roof curb mount	903696
Extreme High Wind Kit - Ground Mount	903695
Low Pressure Switch Kit	913551
Heater Kit - 4-Pole single circuit adaptor	913350
Heater Kit - 6-Pole single circuit adaptor	913556
Heater Kit - Circuit breaker single phase (2-pole)	913554
Freezestat Kit	917108
Duct Adopter, 14" Round (2 each)	913812A
Control, CO2 sensor, wall mount	920317
Control, CO2 sensor, duct mount	920318

COOLING EXPANDED RATINGS

GP6SD-X36

CFM	O.D.T		85°F			95°F			105°F			115°F		
	E.D.B.	E.W.B.	T.C.	S.C.	K.W.	T.C.	S.C.	K.W.	T.C.	S.C.	K.W.	T.C.	S.C.	K.W.
900	80	62	32.7	26.3	2.67	31.2	26.4	2.95	29.6	27.2	3.27	27.9	26.8	3.64
	80	67	35.6	21.3	2.70	33.9	20.7	2.98	32.1	20.2	3.30	30.1	19.5	3.67
	80	72	38.9	16.3	2.75	37.1	15.8	3.03	35.2	15.2	3.34	33.1	14.7	3.71
	75	63	33.1	21.0	2.68	31.5	21.1	2.95	29.8	21.0	3.28	28.0	20.6	3.64
1000	80	62	33.5	28.0	2.68	31.9	29.0	2.96	30.3	29.0	3.28	28.7	28.7	3.65
	80	67	36.2	22.5	2.71	34.4	22.0	2.99	32.6	21.4	3.31	30.7	20.9	3.67
	80	72	39.6	17.1	2.76	37.8	16.6	3.04	35.8	16.0	3.35	33.7	15.5	3.72
	75	63	33.7	23.1	2.68	32.0	22.9	2.96	30.4	22.8	3.28	28.6	22.2	3.65
1100	80	62	34.7	31.2	2.69	33.1	31.3	2.97	31.6	31.6	3.30	29.9	29.9	3.66
	80	67	37.3	24.5	2.73	35.5	23.9	3.00	33.6	23.2	3.32	31.6	22.6	3.69
	80	72	40.7	18.2	2.77	38.8	17.7	3.05	36.7	17.2	3.37	34.5	16.6	3.73
	75	63	34.8	26.0	2.70	33.1	25.6	2.97	31.3	24.9	3.29	29.4	24.2	3.66

GP6SD-X48

CFM	O.D.T		85°F			95°F			105°F			115°F		
	E.D.B.	E.W.B.	T.C.	S.C.	K.W.	T.C.	S.C.	K.W.	T.C.	S.C.	K.W.	T.C.	S.C.	K.W.
1250	80	62	44.1	35.7	3.45	42.2	36.0	3.84	40.0	37.1	4.27	37.8	36.6	4.77
	80	67	47.9	28.8	3.50	45.5	28.0	3.87	43.1	27.2	4.31	40.6	26.7	4.80
	80	72	52.1	21.9	3.54	49.5	21.2	3.92	46.9	20.5	4.35	44.2	19.8	4.85
	75	63	52.1	16.3	3.54	49.5	16.7	3.92	47.0	16.7	4.35	44.2	16.4	4.85
1400	80	62	45.2	38.2	3.46	43.1	39.5	3.85	41.0	39.5	4.29	39.0	39.0	4.78
	80	67	48.7	30.6	3.51	46.3	29.8	3.88	43.9	29.4	4.32	41.4	28.6	4.81
	80	72	52.9	23.1	3.54	50.4	22.4	3.93	47.7	21.6	4.36	44.9	20.9	4.86
	75	63	53.1	18.2	3.55	50.5	18.2	3.93	47.7	17.9	4.36	45.0	17.4	4.86
1550	80	62	46.2	41.8	3.47	44.2	41.9	3.86	42.2	42.2	4.30	40.1	40.1	4.80
	80	67	49.6	32.7	3.51	47.1	32.0	3.89	44.6	31.2	4.33	42.0	30.4	4.82
	80	72	53.8	24.2	3.55	51.1	23.5	3.95	48.4	22.8	4.37	45.5	22.0	4.86
	75	63	53.8	20.3	3.55	51.1	19.8	3.95	48.4	19.2	4.37	45.5	18.4	4.87

GP6SD-X60

CFM	O.D.T		85°F			95°F			105°F			115°F		
	E.D.B.	E.W.B.	T.C.	S.C.	K.W.	T.C.	S.C.	K.W.	T.C.	S.C.	K.W.	T.C.	S.C.	K.W.
1600	80	62	56.7	45.9	4.53	54.1	46.1	5.02	51.3	47.5	5.57	48.4	46.7	6.19
	80	67	61.2	37.4	4.62	58.1	36.4	5.09	55.0	35.3	5.65	51.7	34.2	6.26
	80	72	66.6	28.6	4.72	63.1	27.7	5.20	59.5	26.8	5.75	55.7	25.7	6.36
	75	63	57.0	36.9	4.54	54.2	37.0	5.02	51.2	36.7	5.57	48.2	36.0	6.18
1750	80	62	57.8	48.3	4.59	55.1	49.9	5.07	52.2	49.9	5.62	49.3	49.2	6.24
	80	67	62.0	39.2	4.67	58.9	38.1	5.14	55.7	37.0	5.70	52.3	35.8	6.31
	80	72	67.1	29.8	4.77	63.5	28.8	5.24	59.9	27.8	5.79	56.2	26.8	6.41
	75	63	57.8	40.1	4.59	54.9	39.8	5.07	51.9	39.1	5.62	48.8	38.1	6.23
1900	80	62	58.7	52.1	4.64	56.0	52.2	5.13	53.1	53.0	5.68	50.4	50.4	6.30
	80	67	62.7	40.9	4.72	59.6	39.8	5.20	56.3	38.7	5.75	52.8	37.5	6.36
	80	72	67.5	30.9	4.81	64.0	29.9	5.29	60.5	28.8	5.84	56.7	27.7	6.46
	75	63	58.5	43.5	4.64	55.6	42.7	5.12	52.5	41.6	5.66	49.3	40.3	6.28



www.nordyne.com

803C-0808 (Replaces 803C-0408)

O'Fallon, MO

NORDYNE

Before purchasing this appliance, read important energy cost and efficiency information available from your retailer. Specifications and illustrations subject to change without notice and without incurring obligations. Printed in U.S.A. (08/08)