

FG7S (A and K Series)

High Efficiency Upflow/Horizontal and Downflow Gas Furnaces

**Induced Draft - 80+ AFUE
Input 45,000 - 126,000 Btuh**

The high efficiency gas furnace may be installed free standing in a utility room, basement, or enclosed in an alcove or closet. The rounded corner jacket provides a pleasing "appliance appearance." Design certified by CSA for application in Canada and the United States.



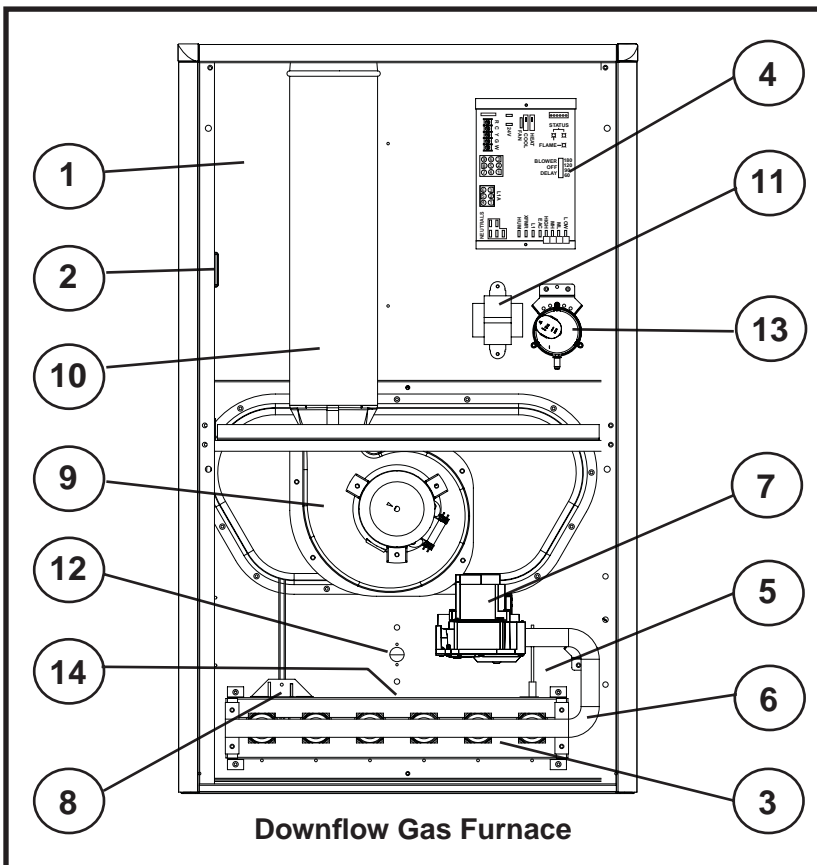
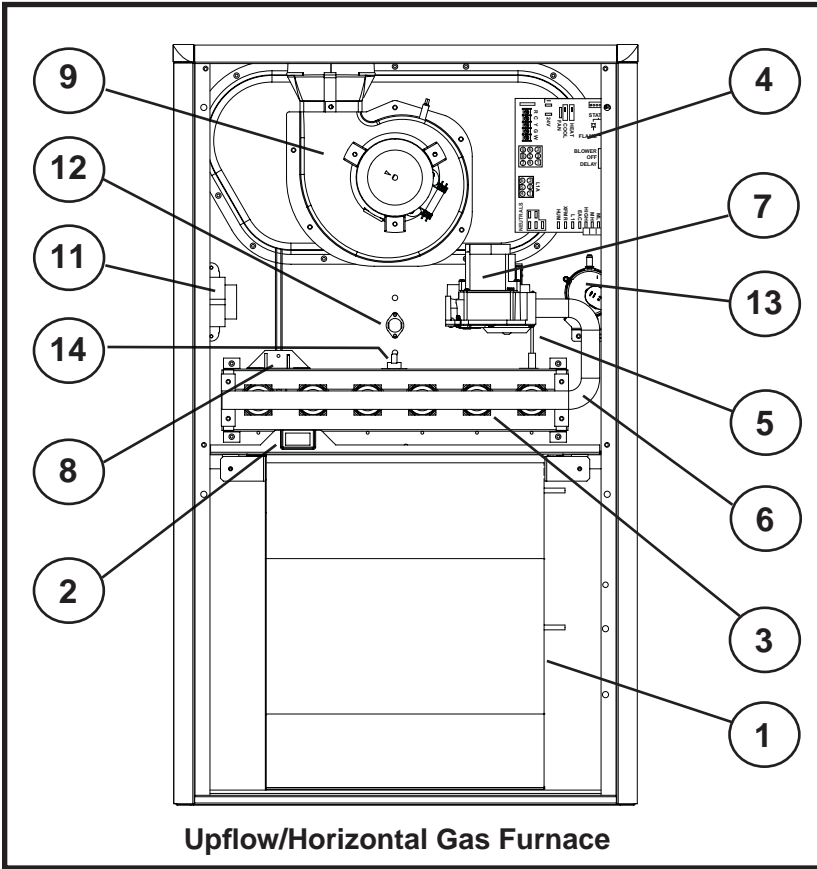
WARRANTY

- 10-year all-parts warranty.
- 10 Year Quality Pledge to replace the unit if the heat exchanger fails within the first 10 years of operation, to the original owner.
- Consumer product registration required for 10 year All Parts Warranty and Quality Pledge within a limited period of time after the installation. See current warranty document or visit our consumer web site listed on the back of this document for warranty details.
- When registered, this product is upgraded to a limited lifetime heat exchanger warranty.

FEATURES and BENEFITS

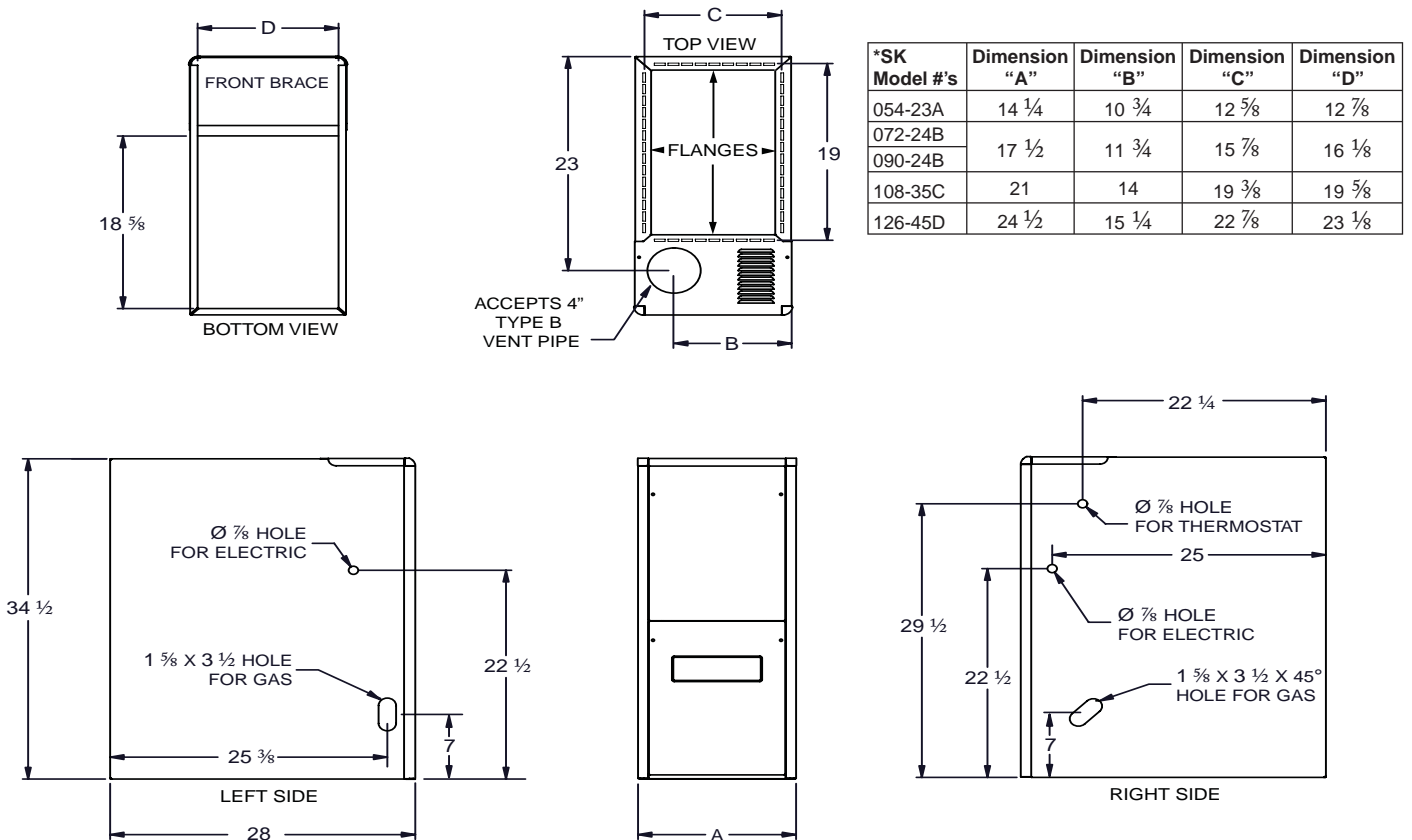
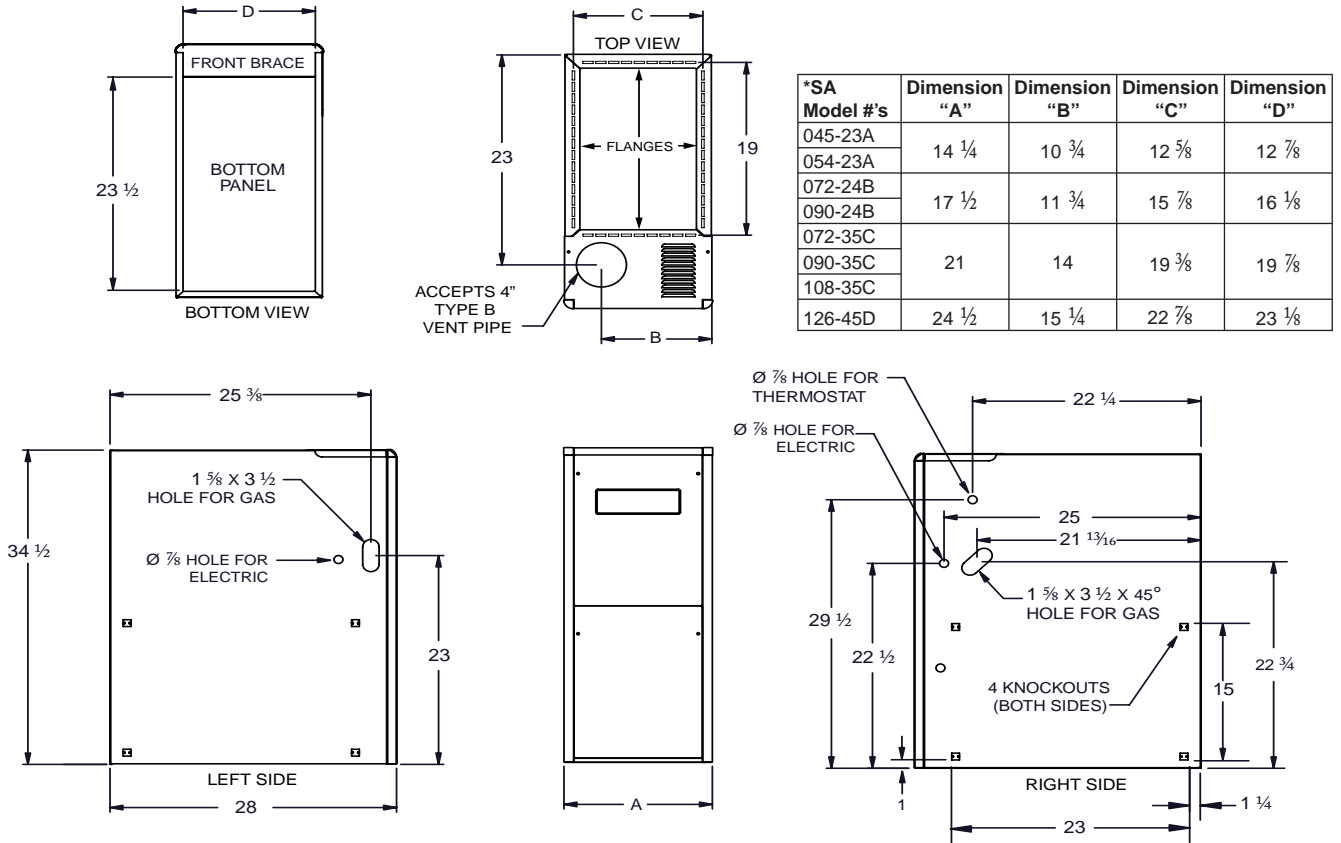
- **100% fired and tested:** All units and each component are tested on the manufacturing line.
- **Best packaging in the industry:** Unique corner post design assures product will arrive to the homeowner dent free.
- **Low Boy Height:** Easy to apply in low ceiling applications, works well with taller high SEER coils, easier to handle and install.
- **Tubular primary heat exchanger:** Heavy gauge aluminized steel heat exchanger assures a long life.
- **30 second blower delay at start-up:** Assures a warm duct temperature at furnace start-up. Adjustable blower off settings (60, 90, 120 and 180 seconds).
- **30 second post purge:** Increases life of heat exchanger.
- **Hot surface igniter:** Innovative application of a silicon nitride igniter. Utilizes proven Smartlite® technology.
- **Color coded wire harness:** Designed to fit the components, all with quick-connect fittings for ease of service and replacement.
- **High static blowers:** All models equipped with high static blowers.
- **90 second cooling cycle blower-off delay (TDR):** increases cooling performance when matched with a NORDYNE coil.
- **Flexible category I venting system:** May be vented with dedicated venting system or common vented with other category one appliances.
- **High efficiency blower kits:** Maximize efficiencies. On select units, a SEER improvement of up to 1 point is realized.
- **Multi-speed direct drive blower:** Designed to give a wide range of cooling capacities. Switches on PCB, provide ultra easy motor speed selection.
- **LP convertible:** Simple burner orifice and regulator spring change for ease of convertibility.
- **Diagnostic lights for easy troubleshooting without counting flashes:** Dedicated light for flame signal strength and 2 lights in combination to indicate all other fault codes with easy to recognize states without counting flashes.
- **Integrated control board:** Incorporates connections for electronic air cleaner and humidifier.
- **Two piece door design:** Enhances furnace appearance and uses captured screws to prevent losing door screws.
- **Blower Compartment:** Insulated for ultra quiet operation.

GAS FURNACE COMPONENTS



- 1. Blower Assembly**
- 2. Blower Door Switch**
- 3. Burner Assembly**
- 4. Control Board**
- 5. Flame Sensor**
- 6. Gas Manifold**
- 7. Gas Valve**
- 8. Igniter**
- 9. Inducer**
- 10. Insulated Combustion Tube (Downflow Models)**
- 11. Low Voltage Transformer**
- 12. Main Air Limit Switch**
- 13. Pressure Switch**
- 14. Roll-Out Switch(s)**

DIMENSIONS



BLOWER PERFORMANCE - FG7SA

| Model Number | Heating Input (Btuh) | Motor Speed | External Static Pressure (Inches Water Column) | | | | | | | | | | | | | | | | | |
|------------------------------|----------------------|-------------|--|------|------|------|------|------|------|------|------|------|------|------|------|------|------|------|--|--|
| | | | 0.1 | | 0.2 | | 0.3 | | 0.4 | | 0.5 | | 0.6 | | 0.7 | | 0.8 | | | |
| | | | CFM | Rise | CFM | Rise | CFM | Rise | CFM | Rise | CFM | Rise | CFM | Rise | CFM | Rise | CFM | Rise | | |
| SA045()-23A Bottom Return | 45,000 | High* | 1260 | 26 | 1205 | 28 | 1145 | 29 | 1080 | 31 | 1025 | 33 | 960 | 35 | 890 | 37 | 825 | 40 | | |
| | | Med-High | 955 | 35 | 950 | 35 | 940 | 35 | 935 | 36 | 925 | 36 | 860 | 39 | 800 | 42 | 725 | 46 | | |
| | | Med-Low** | 825 | 40 | 800 | 42 | 760 | 44 | 730 | 46 | 690 | 48 | 650 | 51 | 600 | 56 | 530 | 63 | | |
| | | Low | 655 | 51 | 630 | 53 | 610 | 55 | 580 | 57 | 550 | 61 | 520 | 64 | 480 | 69 | 435 | 77 | | |
| SA045()-23A Side Return | 45,000 | High* | 1350 | 25 | 1290 | 26 | 1225 | 27 | 1155 | 29 | 1100 | 30 | 1025 | 33 | 950 | 35 | 885 | 38 | | |
| | | Med-High | 1025 | 33 | 1015 | 33 | 1005 | 33 | 1000 | 33 | 990 | 34 | 920 | 36 | 855 | 39 | 775 | 43 | | |
| | | Med-Low** | 885 | 38 | 855 | 39 | 815 | 41 | 780 | 43 | 740 | 45 | 695 | 48 | 640 | 52 | 565 | 59 | | |
| | | Low | 700 | 48 | 675 | 49 | 655 | 51 | 620 | 54 | 590 | 56 | 555 | 60 | 515 | 65 | 465 | 72 | | |
| SA054()-23A Bottom Return | 54,000 | High* | 1260 | 32 | 1205 | 33 | 1145 | 35 | 1080 | 37 | 1025 | 39 | 960 | 42 | 890 | 45 | 825 | 48 | | |
| | | Med-High | 955 | 42 | 950 | 42 | 940 | 43 | 935 | 43 | 925 | 43 | 860 | 47 | 800 | 50 | 725 | 55 | | |
| | | Med-Low** | 825 | 48 | 800 | 50 | 760 | 53 | 730 | 55 | 690 | 58 | 650 | 62 | 600 | 67 | 530 | 75 | | |
| | | Low | 655 | 61 | 630 | 63 | 610 | 66 | 580 | 69 | 550 | 73 | 520 | 77 | 480 | 83 | 435 | 92 | | |
| SA054()-23A Side Return | 54,000 | High* | 1350 | 30 | 1290 | 31 | 1225 | 33 | 1155 | 35 | 1100 | 36 | 1025 | 39 | 950 | 42 | 885 | 45 | | |
| | | Med-High | 1025 | 39 | 1015 | 39 | 1005 | 40 | 1000 | 40 | 990 | 40 | 920 | 43 | 855 | 47 | 775 | 52 | | |
| | | Med-Low** | 885 | 45 | 855 | 47 | 815 | 49 | 780 | 51 | 740 | 54 | 695 | 58 | 640 | 63 | 565 | 71 | | |
| | | Low | 700 | 57 | 675 | 59 | 655 | 61 | 620 | 65 | 590 | 68 | 555 | 72 | 515 | 78 | 465 | 86 | | |
| SA072()-24B Bottom Return | 72,000 | High* | 1685 | 32 | 1640 | 33 | 1605 | 33 | 1565 | 34 | 1515 | 35 | 1475 | 36 | 1415 | 38 | 1345 | 40 | | |
| | | Med-High | 1330 | 40 | 1295 | 41 | 1275 | 42 | 1245 | 43 | 1215 | 44 | 1185 | 45 | 1135 | 47 | 1070 | 50 | | |
| | | Med-Low** | 1175 | 45 | 1155 | 46 | 1125 | 47 | 1100 | 48 | 1075 | 50 | 1045 | 51 | 1010 | 53 | 955 | 56 | | |
| | | Low | 930 | 57 | 895 | 60 | 885 | 60 | 850 | 63 | 825 | 65 | 800 | 67 | 770 | 69 | 740 | 72 | | |
| SA072()-24B Side Return | 72,000 | High* | 1770 | 30 | 1720 | 31 | 1685 | 32 | 1645 | 32 | 1590 | 34 | 1550 | 34 | 1485 | 36 | 1415 | 38 | | |
| | | Med-High | 1400 | 38 | 1360 | 39 | 1340 | 40 | 1310 | 41 | 1275 | 42 | 1245 | 43 | 1190 | 45 | 1125 | 47 | | |
| | | Med-Low** | 1235 | 43 | 1215 | 44 | 1180 | 45 | 1155 | 46 | 1130 | 47 | 1100 | 48 | 1060 | 50 | 1005 | 53 | | |
| | | Low | 975 | 55 | 940 | 57 | 930 | 57 | 890 | 60 | 865 | 62 | 840 | 63 | 810 | 66 | 775 | 69 | | |
| SA090()-24B Bottom Return | 90,000 | High* | 1610 | 41 | 1575 | 42 | 1530 | 44 | 1485 | 45 | 1440 | 46 | 1385 | 48 | 1340 | 50 | 1275 | 52 | | |
| | | Med-High** | 1295 | 51 | 1260 | 53 | 1235 | 54 | 1220 | 55 | 1175 | 57 | 1135 | 59 | 1095 | 61 | 1015 | 66 | | |
| | | Med-Low | 1155 | 58 | 1130 | 59 | 1100 | 61 | 1070 | 62 | 1035 | 64 | 1015 | 66 | 965 | 69 | 920 | 72 | | |
| | | Low | 880 | 76 | 860 | 78 | 830 | 80 | 800 | 83 | 765 | 87 | 740 | 90 | 675 | 99 | 660 | 101 | | |
| SA090()-24B Side Return | 90,000 | High* | 1690 | 39 | 1655 | 40 | 1610 | 41 | 1560 | 43 | 1510 | 44 | 1455 | 46 | 1405 | 47 | 1340 | 50 | | |
| | | Med-High** | 1360 | 49 | 1325 | 50 | 1300 | 51 | 1280 | 52 | 1235 | 54 | 1190 | 56 | 1150 | 58 | 1065 | 63 | | |
| | | Med-Low | 1215 | 55 | 1190 | 56 | 1155 | 58 | 1125 | 59 | 1090 | 61 | 1065 | 63 | 1015 | 66 | 965 | 69 | | |
| | | Low | 925 | 72 | 900 | 74 | 870 | 77 | 840 | 79 | 800 | 83 | 775 | 86 | 710 | 94 | 695 | 96 | | |
| SA072()-35C Bottom Return | 72,000 | High* | 1950 | 27 | 1865 | 29 | 1790 | 30 | 1715 | 31 | 1630 | 33 | 1550 | 34 | 1475 | 36 | 1390 | 38 | | |
| | | Med-High | 1860 | 29 | 1780 | 30 | 1710 | 31 | 1635 | 33 | 1575 | 34 | 1500 | 36 | 1415 | 38 | 1325 | 40 | | |
| | | Med-Low** | 1300 | 41 | 1240 | 43 | 1200 | 44 | 1160 | 46 | 1120 | 48 | 1065 | 50 | 995 | 54 | 910 | 59 | | |
| | | Low | 1165 | 46 | 1115 | 48 | 1060 | 50 | 1025 | 52 | 985 | 54 | 940 | 57 | 890 | 60 | 825 | 65 | | |
| SA072()-35C Side Return | 72,000 | High* | 2030 | 26 | 1940 | 27 | 1860 | 29 | 1785 | 30 | 1695 | 31 | 1615 | 33 | 1535 | 35 | 1445 | 37 | | |
| | | Med-High | 1935 | 28 | 1850 | 29 | 1780 | 30 | 1700 | 31 | 1630 | 33 | 1560 | 34 | 1470 | 36 | 1380 | 39 | | |
| | | Med-Low** | 1350 | 40 | 1290 | 41 | 1250 | 43 | 1205 | 44 | 1165 | 46 | 1110 | 48 | 1035 | 52 | 945 | 56 | | |
| | | Low | 1215 | 44 | 1160 | 46 | 1105 | 48 | 1065 | 50 | 1025 | 52 | 980 | 54 | 925 | 58 | 860 | 62 | | |

BLOWER PERFORMANCE - FG7SA Continued

| Model Number | Heating Input (Btuh) | Motor Speed | External Static Pressure (Inches Water Column) | | | | | | | | | | | | | | | |
|--|----------------------|-------------|--|------|------|------|------|------|------|------|------|------|------|------|------|------|------|------|
| | | | 0.1 | | 0.2 | | 0.3 | | 0.4 | | 0.5 | | 0.6 | | 0.7 | | 0.8 | |
| | | | CFM | Rise | CFM | Rise | CFM | Rise | CFM | Rise | CFM | Rise | CFM | Rise | CFM | Rise | CFM | Rise |
| SA072(-)-35C Side + Bottom or 2 Sides | 72,000 | High* | 2050 | 26 | 1960 | 27 | 1880 | 28 | 1800 | 30 | 1710 | 31 | 1630 | 33 | 1550 | 34 | 1460 | 37 |
| | | Med-High | 1955 | 27 | 1870 | 29 | 1800 | 30 | 1715 | 31 | 1655 | 32 | 1575 | 34 | 1485 | 36 | 1390 | 38 |
| | | Med-Low** | 1365 | 39 | 1300 | 41 | 1260 | 42 | 1220 | 44 | 1175 | 45 | 1120 | 48 | 1045 | 51 | 955 | 56 |
| | | Low | 1225 | 44 | 1170 | 46 | 1115 | 48 | 1075 | 50 | 1035 | 52 | 985 | 54 | 935 | 57 | 865 | 62 |
| SA090(-)-35C Bottom Return | 90,000 | High* | 1940 | 34 | 1860 | 36 | 1790 | 37 | 1710 | 39 | 1625 | 41 | 1540 | 43 | 1450 | 46 | 1355 | 49 |
| | | Med-High** | 1820 | 37 | 1760 | 38 | 1695 | 39 | 1620 | 41 | 1545 | 43 | 1466 | 45 | 1380 | 48 | 1280 | 52 |
| | | Med-Low | 1290 | 52 | 1245 | 54 | 1200 | 56 | 1155 | 58 | 1110 | 60 | 1060 | 63 | 995 | 67 | 915 | 73 |
| | | Low | 1145 | 58 | 1110 | 60 | 1070 | 62 | 1035 | 64 | 1000 | 67 | 950 | 70 | 905 | 74 | 835 | 80 |
| SA090(-)-35C Side Return | 90,000 | High* | 2020 | 33 | 1935 | 34 | 1860 | 36 | 1780 | 37 | 1690 | 39 | 1600 | 42 | 1510 | 44 | 1410 | 47 |
| | | Med-High** | 1895 | 35 | 1830 | 36 | 1765 | 38 | 1685 | 40 | 1610 | 41 | 1525 | 44 | 1435 | 46 | 1330 | 50 |
| | | Med-Low | 1345 | 50 | 1295 | 51 | 1250 | 53 | 1200 | 56 | 1155 | 58 | 1100 | 61 | 1035 | 64 | 950 | 70 |
| | | Low | 1190 | 56 | 1155 | 58 | 1115 | 60 | 1075 | 62 | 1040 | 64 | 980 | 68 | 940 | 71 | 870 | 77 |
| SA090(-)-35C Side + Bottom or 2 Sides | 90,000 | High* | 2040 | 33 | 1955 | 34 | 1880 | 35 | 1795 | 37 | 1705 | 39 | 1620 | 41 | 1525 | 44 | 1425 | 47 |
| | | Med-High** | 1910 | 35 | 1850 | 36 | 1780 | 37 | 1700 | 39 | 1625 | 41 | 1540 | 43 | 1450 | 46 | 1345 | 50 |
| | | Med-Low | 1355 | 49 | 1310 | 51 | 1260 | 53 | 1215 | 55 | 1165 | 57 | 1115 | 60 | 1050 | 63 | 960 | 69 |
| | | Low | 1205 | 55 | 1165 | 57 | 1125 | 59 | 1085 | 61 | 1050 | 63 | 1000 | 67 | 950 | 70 | 875 | 76 |
| SA108(-)-35C Bottom Return | 108,000 | High* | 2205 | 36 | 2150 | 37 | 2095 | 38 | 2030 | 39 | 1970 | 41 | 1900 | 42 | 1830 | 44 | 1740 | 46 |
| | | Med-High** | 2050 | 39 | 1995 | 40 | 1955 | 41 | 1895 | 42 | 1840 | 43 | 1775 | 45 | 1700 | 47 | 1610 | 50 |
| | | Med-Low | 1700 | 47 | 1680 | 48 | 1645 | 49 | 1610 | 50 | 1565 | 51 | 1525 | 52 | 1460 | 55 | 1375 | 58 |
| | | Low | 1390 | 58 | 1370 | 58 | 1355 | 59 | 1320 | 61 | 1300 | 62 | 1270 | 63 | 1225 | 65 | 1175 | 68 |
| SA108(-)-35C Side Return | 108,000 | High* | 2295 | 35 | 2235 | 36 | 2180 | 37 | 2110 | 38 | 2050 | 39 | 1975 | 41 | 1900 | 42 | 1810 | 44 |
| | | Med-High** | 2130 | 38 | 2075 | 39 | 2035 | 39 | 1970 | 41 | 1915 | 42 | 1845 | 43 | 1765 | 45 | 1675 | 48 |
| | | Med-Low | 1770 | 45 | 1750 | 46 | 1710 | 47 | 1675 | 48 | 1630 | 49 | 1585 | 50 | 1520 | 53 | 1430 | 56 |
| | | Low | 1445 | 55 | 1425 | 56 | 1410 | 57 | 1375 | 58 | 1350 | 59 | 1320 | 61 | 1275 | 63 | 1225 | 65 |
| SA108(-)-35C Side + Bottom or 2 Sides | 108,000 | High* | 2315 | 35 | 2260 | 35 | 2200 | 36 | 2130 | 38 | 2070 | 39 | 1995 | 40 | 1925 | 42 | 1825 | 44 |
| | | Med-High** | 2155 | 37 | 2095 | 38 | 2055 | 39 | 1990 | 40 | 1930 | 41 | 1865 | 43 | 1785 | 45 | 1690 | 47 |
| | | Med-Low | 1785 | 45 | 1765 | 45 | 1725 | 46 | 1690 | 47 | 1645 | 49 | 1600 | 50 | 1535 | 52 | 1445 | 55 |
| | | Low | 1460 | 55 | 1440 | 56 | 1425 | 56 | 1385 | 58 | 1365 | 59 | 1335 | 60 | 1285 | 62 | 1235 | 65 |
| SA126(-)-45D Bottom only or 2 openings | 126,000 | High* | 2255 | 41 | 2200 | 42 | 2125 | 44 | 2065 | 45 | 2010 | 46 | 1935 | 48 | 1855 | 50 | 1755 | 53 |
| | | Med-High** | 2075 | 45 | 2025 | 46 | 1970 | 47 | 1940 | 48 | 1875 | 50 | 1810 | 52 | 1750 | 53 | 1680 | 56 |
| | | Med-Low | 1720 | 54 | 1695 | 55 | 1655 | 56 | 1630 | 57 | 1580 | 59 | 1520 | 61 | 1455 | 64 | 1390 | 67 |
| | | Low | 1360 | 69 | 1375 | 68 | 1365 | 68 | 1315 | 71 | 1310 | 71 | 1300 | 72 | 1260 | 74 | 1230 | 76 |
| SA126(-)-45D Side Return | 126,000 | High* | 2230 | 42 | 2180 | 43 | 2105 | 44 | 2045 | 46 | 1990 | 47 | 1915 | 49 | 1835 | 51 | 1740 | 54 |
| | | Med-High** | 2055 | 45 | 2005 | 47 | 1950 | 48 | 1920 | 49 | 1855 | 50 | 1790 | 52 | 1735 | 54 | 1665 | 56 |
| | | Med-Low | 1705 | 55 | 1680 | 56 | 1640 | 57 | 1615 | 58 | 1565 | 60 | 1505 | 62 | 1440 | 65 | 1375 | 68 |
| | | Low | 1345 | 69 | 1360 | 69 | 1350 | 69 | 1300 | 72 | 1230 | 76 | 1290 | 72 | 1250 | 75 | 1220 | 77 |

NOTES:

1. Two openings are recommended for airflows above 1600 CFM if filter(s) is(are) adjacent to furnace.
2. Temperature rises in the table are approximate. Actual temperature rises may vary.
3. Temperature rises shaded in gray are for reference only. These conditions are not recommended.

() Can be C or N
 * Factory Set Cooling Speed
 ** Factory Set Heating Speed

BLOWER PERFORMANCE - FG7SK

| Model Number | Heating Input (Btuh) | Motor Speed | External Static Pressure (Inches Water Column) | | | | | | | | | | | | | | | | | |
|--------------|----------------------|-------------|--|------|------|------|------|------|------|------|------|------|------|------|------|------|------|------|--|--|
| | | | 0.1 | | 0.2 | | 0.3 | | 0.4 | | 0.5 | | 0.6 | | 0.7 | | 0.8 | | | |
| | | | CFM | Rise | CFM | Rise | CFM | Rise | CFM | Rise | CFM | Rise | CFM | Rise | CFM | Rise | CFM | Rise | | |
| SK054()-23A | 54,000 | High* | 1375 | 29 | 1340 | 30 | 1300 | 31 | 1270 | 31 | 1225 | 33 | 1175 | 34 | 1115 | 36 | 1035 | 39 | | |
| | | Med-High | 1155 | 35 | 1130 | 35 | 1110 | 36 | 1085 | 37 | 1055 | 38 | 1015 | 39 | 975 | 41 | 910 | 44 | | |
| | | Med-Low** | 790 | 51 | 775 | 52 | 765 | 52 | 750 | 53 | 730 | 55 | 700 | 57 | 665 | 60 | 610 | 66 | | |
| | | Low | 650 | 62 | 640 | 63 | 630 | 63 | 610 | 66 | 590 | 68 | 565 | 71 | 530 | 75 | 480 | 83 | | |
| SK072()-24B | 72,000 | High* | 1610 | 33 | 1590 | 34 | 1575 | 34 | 1560 | 34 | 1540 | 35 | 1495 | 36 | 1460 | 37 | 1415 | 38 | | |
| | | Med-High | 1295 | 41 | 1275 | 42 | 1260 | 42 | 1250 | 43 | 1220 | 44 | 1195 | 45 | 1170 | 46 | 1120 | 48 | | |
| | | Med-Low** | 1155 | 46 | 1135 | 47 | 1115 | 48 | 1095 | 49 | 1065 | 50 | 1040 | 51 | 1015 | 53 | 980 | 54 | | |
| | | Low | 910 | 59 | 885 | 60 | 860 | 62 | 835 | 64 | 810 | 66 | 785 | 68 | 765 | 70 | 735 | 73 | | |
| SK090()-24B | 90,000 | High* | 1675 | 40 | 1655 | 40 | 1640 | 41 | 1620 | 41 | 1590 | 42 | 1560 | 43 | 1520 | 44 | 1475 | 45 | | |
| | | Med-High | 1330 | 50 | 1315 | 51 | 1300 | 51 | 1280 | 52 | 1255 | 53 | 1230 | 54 | 1200 | 56 | 1150 | 58 | | |
| | | Med-Low** | 1180 | 56 | 1165 | 57 | 1150 | 58 | 1135 | 59 | 1115 | 60 | 1090 | 61 | 1060 | 63 | 1010 | 66 | | |
| | | Low | 940 | 71 | 925 | 72 | 900 | 74 | 880 | 76 | 850 | 78 | 825 | 81 | 795 | 84 | 760 | 88 | | |
| SK108()-35C | 108,000 | High* | 2395 | 33 | 2335 | 34 | 2285 | 35 | 2230 | 36 | 2200 | 36 | 2140 | 37 | 2080 | 38 | 2000 | 40 | | |
| | | Med-High | 2190 | 37 | 2135 | 37 | 2115 | 38 | 2080 | 38 | 2030 | 39 | 1975 | 41 | 1915 | 42 | 1810 | 44 | | |
| | | Med-Low** | 1785 | 45 | 1770 | 45 | 1740 | 46 | 1725 | 46 | 1685 | 47 | 1645 | 49 | 1615 | 50 | 1565 | 51 | | |
| | | Low | 1145 | 70 | 1110 | 72 | 1070 | 75 | 1035 | 77 | 1000 | 80 | 950 | 84 | 905 | 88 | 835 | 96 | | |
| SK126()-45D | 126,000 | High* | 2445 | 38 | 2395 | 39 | 2385 | 39 | 2330 | 40 | 2275 | 41 | 2225 | 42 | 2130 | 44 | 2015 | 46 | | |
| | | Med-High | 2195 | 43 | 2170 | 43 | 2140 | 44 | 2120 | 44 | 2090 | 45 | 2030 | 46 | 1975 | 47 | 1855 | 50 | | |
| | | Med-Low** | 1795 | 52 | 1780 | 52 | 1770 | 53 | 1760 | 53 | 1725 | 54 | 1690 | 55 | 1655 | 56 | 1610 | 58 | | |
| | | Low | 1480 | 63 | 1475 | 63 | 1450 | 64 | 1440 | 65 | 1440 | 65 | 1415 | 66 | 1405 | 66 | 1375 | 68 | | |

() Can be C or N

* Factory Set Cooling Speed

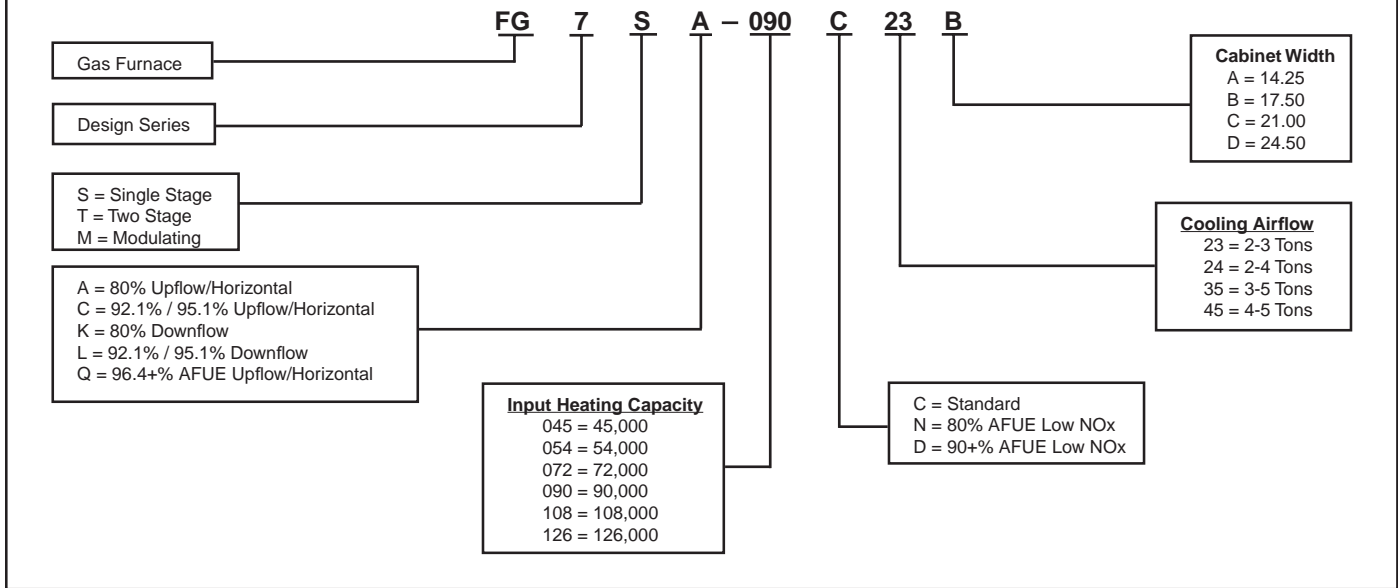
** Factory Set Heating Speed

NOTES:

1. Temperature rises in the table are approximate. Actual temperature rises may vary.

2. Temperature rises shaded in gray are for reference only. These conditions are not recommended.

MODEL IDENTIFICATION CODE



SPECIFICATIONS

| FG7SA MODEL NUMBERS | -045-23A | -054-23A | -072-24B | -090-24B | -072-35C | -090-35C | -108-35C | -126-45D |
|-----------------------------|---------------|---------------|---------------|---------------|---------------|---------------|---------------|---------------|
| Input - Btuh (a) | 45,000 | 54,000 | 72,000 | 90,000 | 72,000 | 90,000 | 108,000 | 126,000 |
| Heating Capacity - Btuh | 36,000 | 43,200 | 57,600 | 72,000 | 57,600 | 72,000 | 86,400 | 100,800 |
| AFUE | 80.0 | 80.0 | 80.0 | 80.0 | 80.0 | 80.0 | 80.0 | 80.0 |
| Blower D x W | 10 x 6 | 10 x 6 | 11x 8 | 11 x 8 | 10 x 10 | 10 x 10 | 11 x 10 | 11 x 10 |
| Motor H.P. - Speed - Type | 1/3 - 4 - PSC | 1/3 - 4 - PSC | 1/2 - 4 - PSC | 1/2 - 4 - PSC | 1/2 - 4 - PSC | 1/2 - 4 - PSC | 1.0 - 4 - PSC | 1.0 - 4 - PSC |
| Motor FLA | 4.80 | 4.80 | 8.20 | 8.20 | 7.50 | 7.50 | 13.75 | 13.75 |
| Rated Ext. SP - In. W.C. | 0.5 | 0.5 | 0.5 | 0.5 | 0.5 | 0.5 | 0.5 | 0.5 |
| Temperature Rise Range - °F | 30-60 | 30-60 | 35-65 | 35-65 | 35-65 | 35-65 | 40-70 | 40-70 |
| Shipping Weights | 100lbs | 100lbs | 110lbs | 115lbs | 115lbs | 120lbs | 125lbs | 145lbs |

| FG7SK MODEL NUMBERS | -054-23A | -072-24B | -090-24B | -108-35C | -126-45D |
|-----------------------------|---------------|---------------|---------------|---------------|---------------|
| Input - Btuh (a) | 54,000 | 72,000 | 90,000 | 108,000 | 126,000 |
| Heating Capacity - Btuh | 43,200 | 57,600 | 72,000 | 86,400 | 100,800 |
| AFUE | 80.0 | 80.0 | 80.0 | 80.0 | 80.0 |
| Blower D x W | 10 x 6 | 11 x 8 | 11 x 8 | 11 x 10 | 11 x 10 |
| Motor H.P. - Speed - Type | 1/3 - 4 - PSC | 1/2 - 4 - PSC | 1/2 - 4 - PSC | 3/4 - 4 - PSC | 1.0 - 4 - PSC |
| Motor FLA | 4.80 | 8.20 | 8.20 | 13.75 | 13.75 |
| Rated Ext. SP - In. W.C. | 0.5 | 0.5 | 0.5 | 0.5 | 0.5 |
| Temperature Rise Range - °F | 30-60 | 35-65 | 35-65 | 40-70 | 40-70 |
| Shipping Weights | 100lbs | 110lbs | 115lbs | 125lbs | 145lbs |

ACCESSORIES

| FG7S (A, K) KITS | |
|---|--------|
| Description | SKU |
| "A" Cabinet fixed speed, high efficiency, FSHE | 904872 |
| "B" Cabinet fixed speed, high efficiency, FSHE | 904873 |
| "C" Cabinet fixed speed, high efficiency, FSHE | 904874 |
| "D" Cabinet fixed speed, high efficiency, FSHE | 904875 |
| "A" Cabinet variable speed, high efficiency, VSHE | 904876 |
| "B" Cabinet variable speed, high efficiency, VSHE | 904877 |
| "C" Cabinet variable speed, high efficiency, VSHE | 904878 |
| "D" Cabinet variable speed, high efficiency, VSHE | 904879 |
| "A" Cabinet downflow sub base kit | 902974 |
| "B", "C", "D" Cabinet downflow sub base kit | 904911 |
| U.S. LP Conversion kit (0 to 10,000 ft.) | 904914 |
| Canada LP Conversion kit (0 to 4,500 ft.) | 904915 |
| Bottom return filter 20 per box, "A" cabinet | 903088 |
| Bottom return filter 20 per box, "B" cabinet | 904916 |
| Bottom return filter 20 per box, "C" cabinet | 904917 |
| Bottom return filter 20 per box, "D" cabinet | 904918 |
| Side return filter kit | 541036 |



GENERAL TERMS OF LIMITED WARRANTY

NORDYNE will furnish a replacement for any part of this product which fails in normal use and service within the first ten years of installation, in accordance with the terms of the warranty.

For complete details of the Limited Warranty, including applicable terms and conditions, see your local installer or contact the NORDYNE warranty department for a copy.

NORDYNE 8000 Phoenix Parkway | O'Fallon MO 63368-3827

www.frigidaire.net

Specifications and illustrations subject to change without notice and without incurring obligations. Printed in U.S.A (04/2008)

741C-0608 (Replaces 741C-0508)

Trademark Frigidaire used under license.