

TECHNICAL SPECIFICATIONS

P6SP Series Rev A

6, 7½ and 10 Ton Packaged Electric Cooling Units

11.2 EER Commercial System Units

These units are designed specifically for retrofit applications and compatibility with most standard footprints. They take less time to install and retrofit, making the contractor's job more profitable. These units offer flexibility in the replacement market. These units are compliant with the 2007 requirements of ASHRAE 90.1 ADDENDUM S.

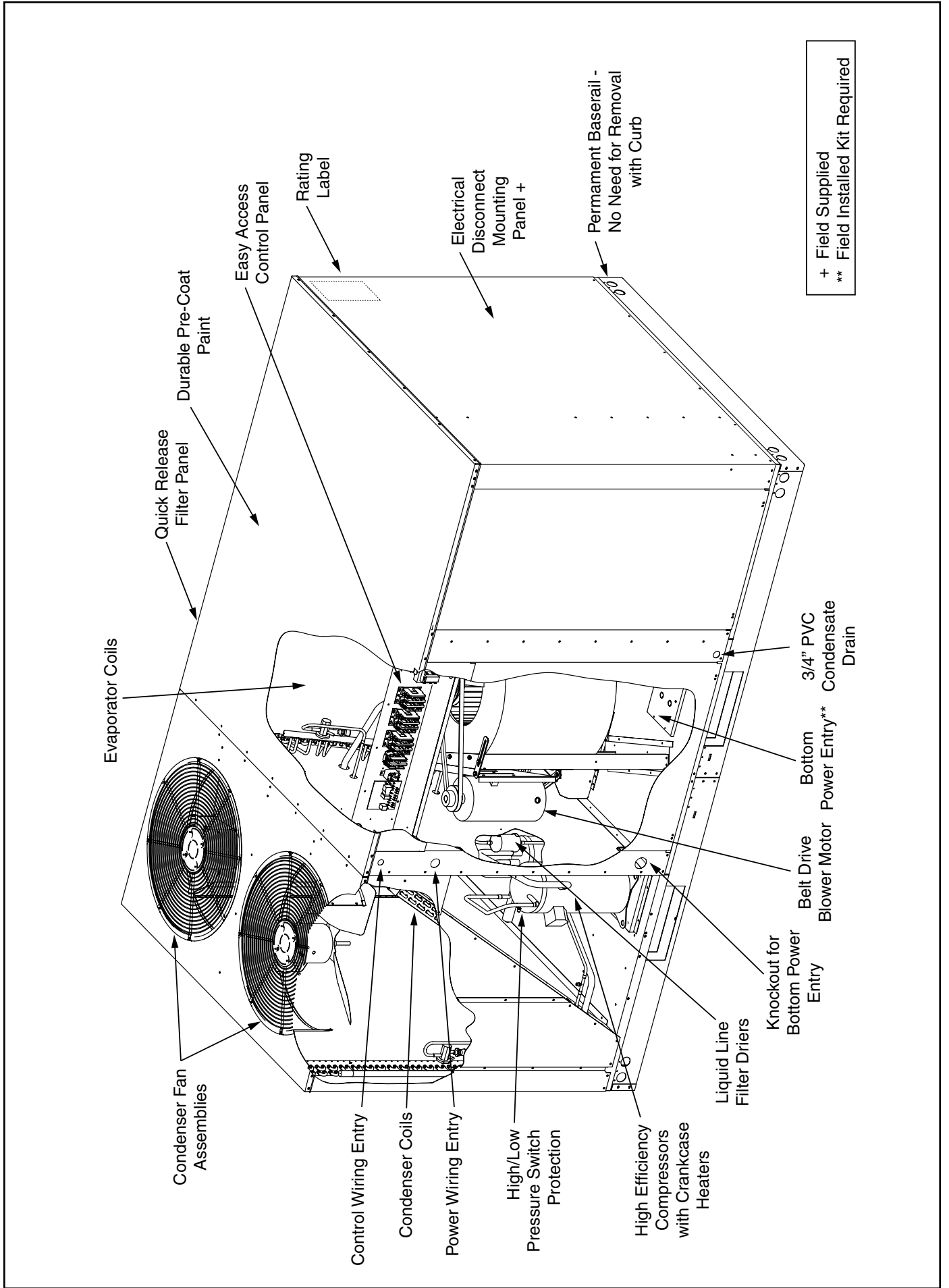


WARRANTY

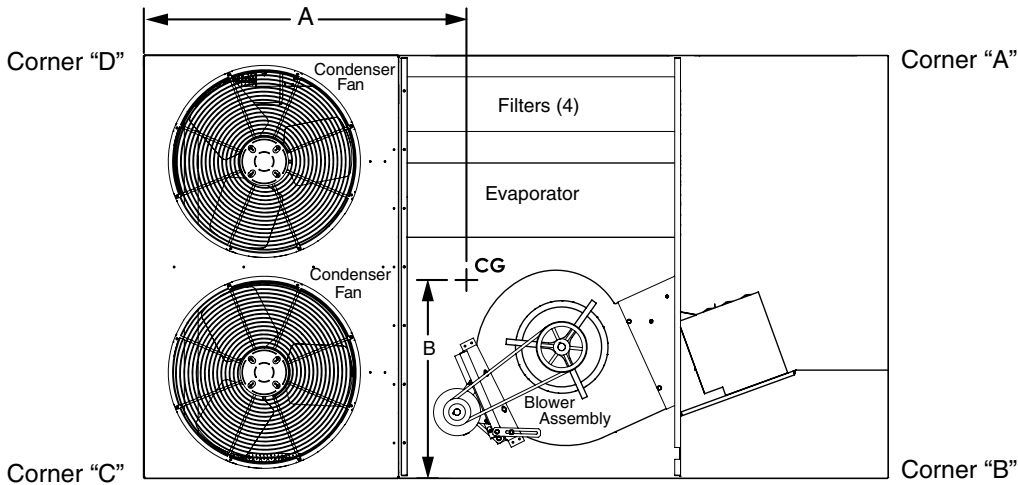
- 1 year limited parts
- 5 year compressor

FEATURES and BENEFITS

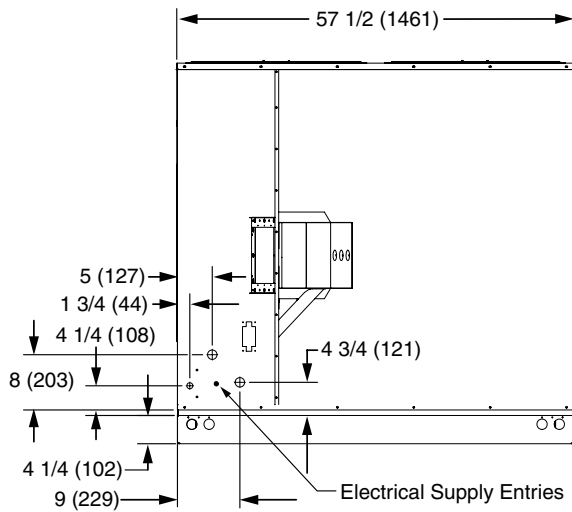
- **Quality Compressor:** State of the art scroll compressor is standard equipment.
- **R-410A Refrigerant:** Earth friendly non-ozone depleting refrigerant.
- **7 ½ & 10 Ton Feature Two-Stage Cooling.**
- **6 Ton Features Single Stage Cooling.**
- **Optional Electric Heat:** Field installed 9 – 35 KW.
- **Hi/Low Pressure Switches:** Ensure long compressor life. Featuring manual reset high pressure control.
- **Copper Tube / Aluminum Fin Coils:** Both indoor and outdoor coils are designed to optimize heat transfer, minimize size and cost, and increase durability and reliability.
- **Plastic Mesh Hail Guard:** A guard that will never rust and protects the units coil from being damaged.
- **For Easy Service:** Hi/low service ports allow quick access without disrupting operation.
- **Permanently Lubricated Motor:** A heavy duty PSC motor for long lasting reliability and quiet operation. Requires no maintenance and is completely protected from rain and snow.
- **75 VA Transformer:** Includes 4 Amp circuit breaker to protect low voltage circuit.
- **Liquid Line Filter Driers:** Factory installed for convenience.
- **Crankcase Heater:** Protection from liquid floodback and future compressor failures.
- **Freeze protection thermostats:** Provide reliable compressor operation.
- **Easy Compressor and Control Access:** Designed to make servicing easier for the contractor, access panels are provided to all controls and the compressor from the side of the unit.
- **Convertible Air Delivery with Kit:** Easily converts to horizontal airflow with side panel including duct flange and bottom close off panels.
- **Quick-Release Filter Access Panels:** Requires no special servicing tools.
- **Fully Insulated Bottom Pan:** Helps ensure quiet operation and prevents condensation.
- **Removable Top Grille Assembly:** Allows ease of service to the fan motor.
- **Full Perimeter Base rail System:** Base rails have rigging holes and do not need to be removed for curb applications. Base rails have fork truck slots on three sides.
- **Durable, Attractive Cabinet:** Designed using 20 gauge galvanized steel with a polyester urethane finish. The 950 hour salt spray finish is 1.5 mil thick and resists corrosion 50% better than comparable units.



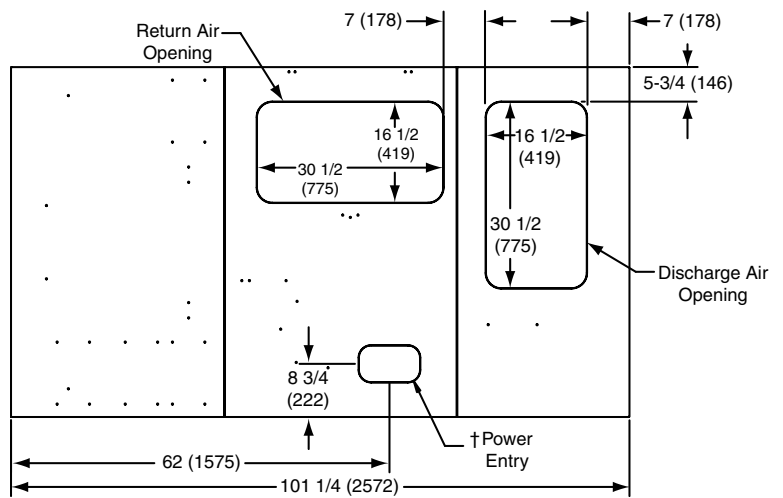
PHYSICAL DATA - P6SP 072, 090, 120
 Dimensions shown in inches (mm)



TOP VIEW



HEAT EXCHANGER END



BOTTOM PAN TOP VIEW

Model No.	Unit Weight ‡		Shipping Weight		Center of Gravity Inches (mm)		Corner Weights								Unit Height*	
	Lbs.	Kg.	Lbs.	Kg.	A	B	A		B		C		D		Horizontal Duct Applications	Vertical Duct Applications
							Lbs.	Kg.	Lbs.	Kg.	Lbs.	Kg.	Lbs.	Kg.		
P6SP-072(C,D)	845	384	980	445	43-1/2 (1105)	32-1/4 (819)	159	72	204	93	270	123	211	96	43-1/2 (1105)	38-1/4 (972)
P6SP-090(C,D)a	856	388	991	450	50-1/2 (1283)	28 (714)	209	95	218	99	219	99	210	95	43-1/2 (1105)	38-1/4 (972)
P6SP-120(C,D)a	1130	514	1270	577	44 (1118)	27 (686)	226	103	264	120	345	157	295	134	55-1/4 (1403)	50 (1270)

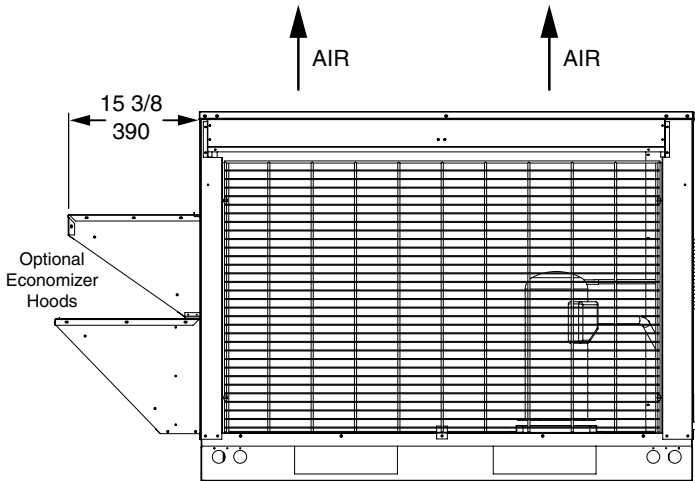
* Baserails are not intended to be removed. Information provided is total unit height for Horizontal duct applications or height dimension added to selected roof curb height for Vertical duct applications.

‡ Unit weight without packaging or field installed accessories.

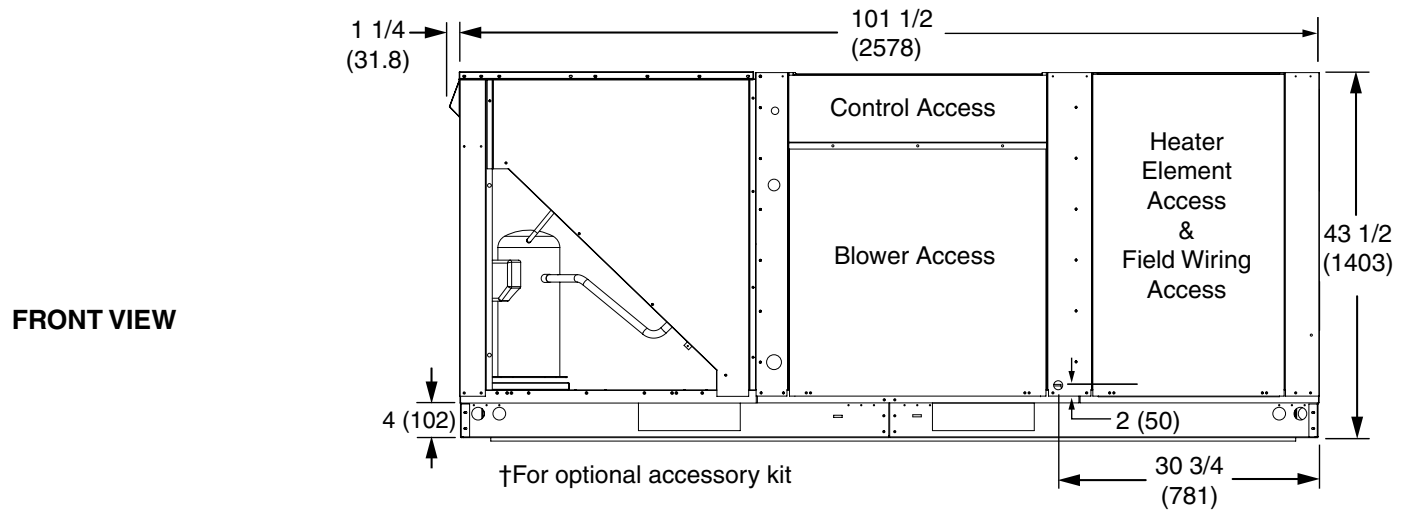
† Field Installed Kit

PHYSICAL DATA - P6SP 072 ONLY

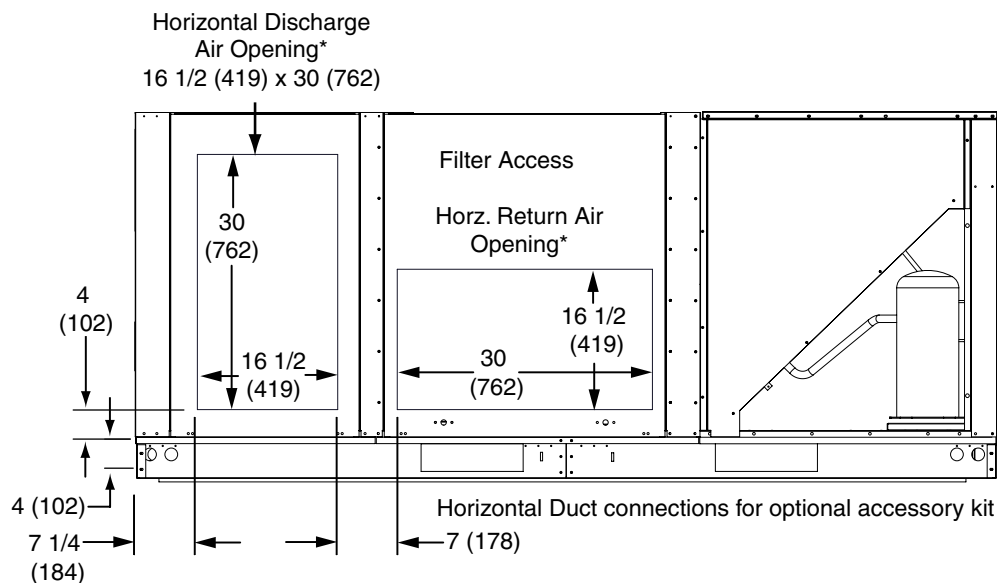
Dimensions shown in inches (mm)



CONDENSER END



FRONT VIEW

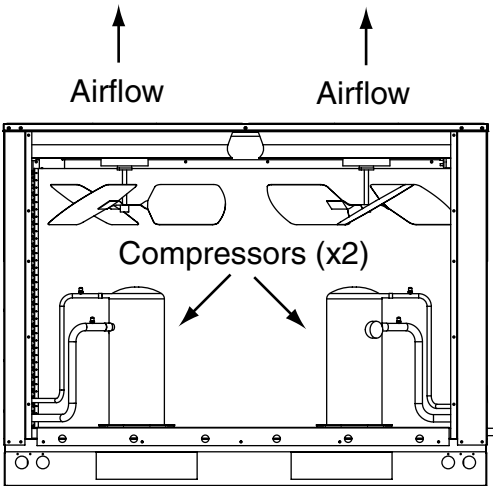


REAR VIEW

*Optional accessory kit

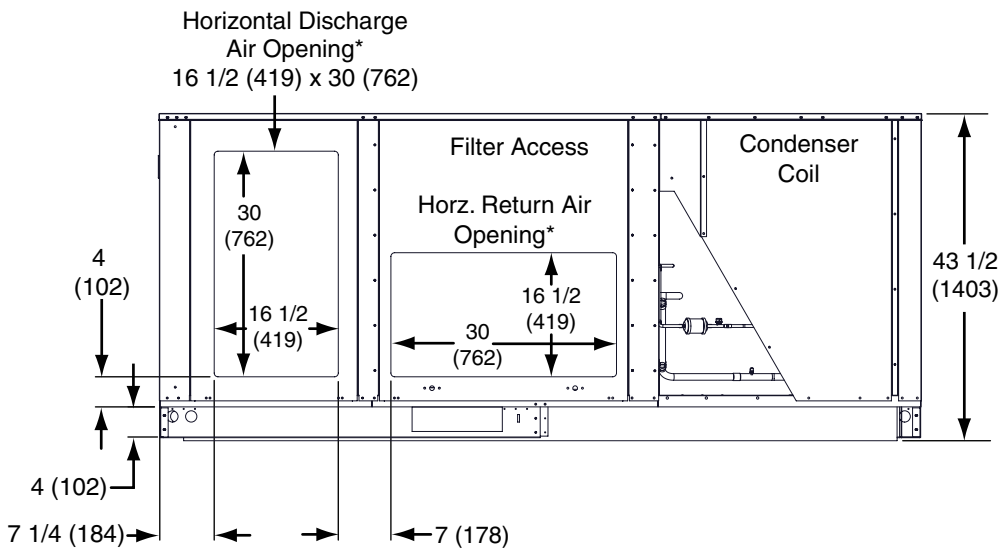
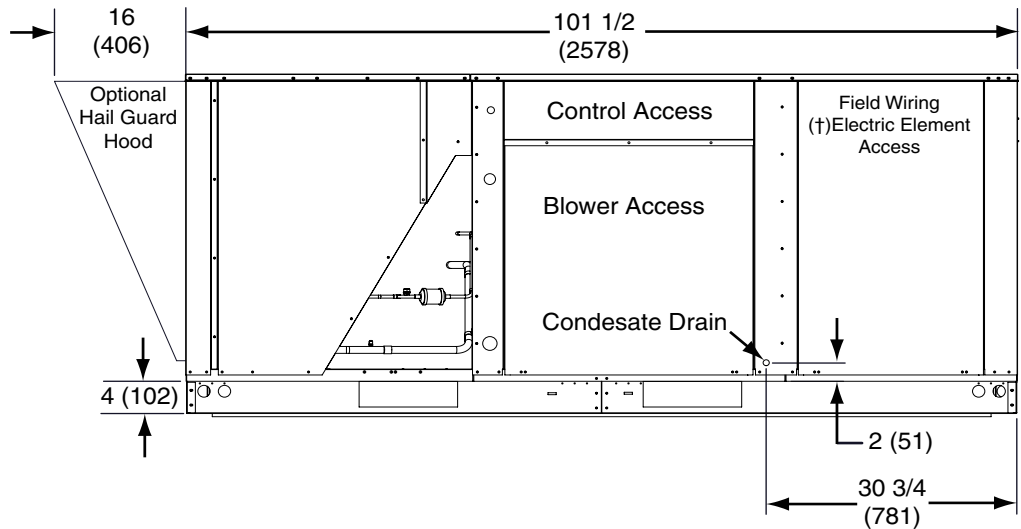
PHYSICAL DATA - P6SP 090 ONLY

Dimensions shown in inches (mm)



CONDENSER END

FRONT VIEW

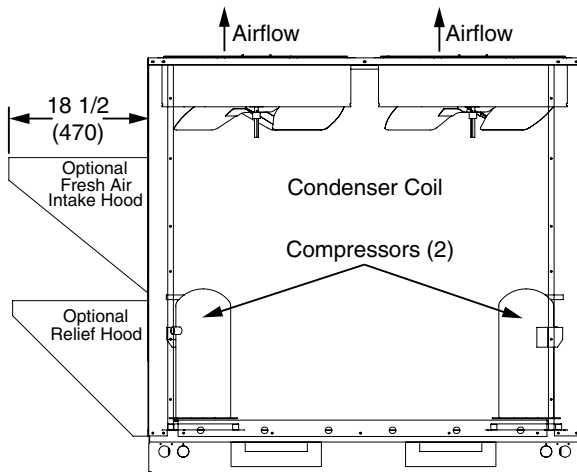


REAR VIEW

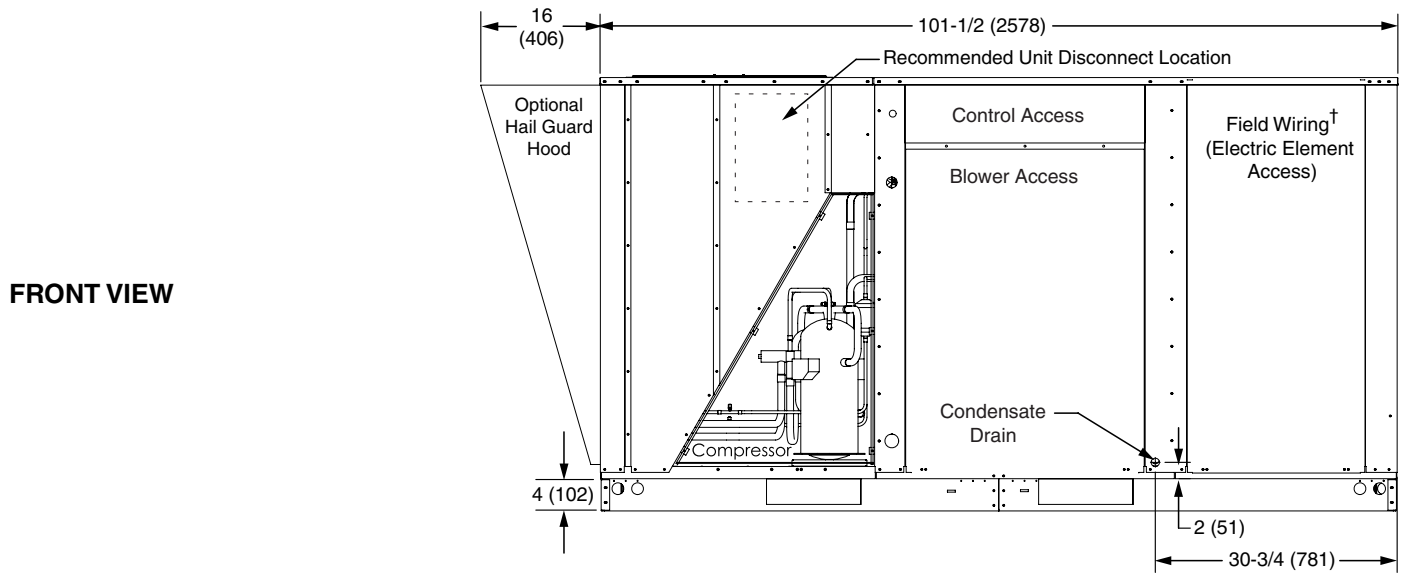
*Optional accessory kit

PHYSICAL DATA - P6SP 120 ONLY

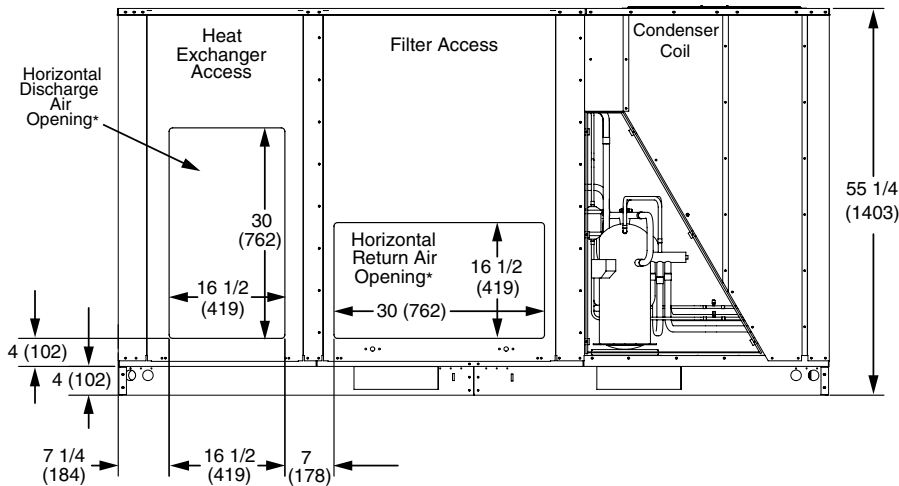
Dimensions shown in inches (mm)



CONDENSER END



FRONT VIEW



REAR VIEW

*Optional accessory kit

SPECIFICATIONS AND ELECTRICAL DATA

Model P6SP-	072(C/D)	090(C/D)a	120(C/D)a
Nominal Capacity (tons)	6	7.5	10
Performance Data ^{1,2,3}			
Total Gross Cooling Capacity (Btuh)	74,300	93,500	125,000
Rated Net Cooling Capacity (Btuh)	72,000	90,000	119,000
E.E.R. - Cooling Efficiency (Btuh/Watt)	11.2	11.2	11.2
IEER - Part load Efficiency	12.6	12.3	11.5
Rated Airflow - CFM	2,400	3,000	4,000
Compressor Data			
Compressor(s) Type	Scroll	Scroll	Scroll
Quantity (number of refrigeration circuits)	1	2	2
Unit Capacity Steps (%)	100	50/50	50/50
Crankcase Heaters	70 W	40 W	40 W
POE Oil Charge (Ea.)	56 Oz.	42 Oz.	42 Oz.
Refrigerant Charge (R-410a)			
Stage 1 Circuit	240 Oz.	168 Oz.	216 Oz.
Stage 2 Circuit	-	168 Oz.	216 Oz.
System Pressure Switches			
High Pressure Switch (PSIG) Manual Reset	Cut Out: 650 +/- 10		
Loss of Charge Switch (PSIG)	Cut Out: 5 +/- 5 Cut In: 20 +/- 5		
Outdoor Fan Data			
Fan Diameter / Total Nominal CFM	20" / 7000	24" / 8200	24" / 8200
Motor - HP / RPM	1/3 - 1100	1/3 - 1075	1/3 - 1075
Quantity	2	2	2
Outdoor Coil Data			
Rows / fpi	2 / 18	2 / 19	2 / 17
Type	Cu Tube/Al Fin	Cu Tube/Al Fin	Cu Tube/Al Fin
Total Face Area (sq ft)	17.0	25.5	34.0
Indoor Coil Data			
Rows / fpi	4 / 14	4 / 14	4 / 14
Type	Cu Tube/Al Fin	Cu Tube/Al Fin	Cu Tube/Al Fin
Total Face Area (sq ft)	8.5	8.5	11.3
Expansion Device	TXV	TXV	TXV
Freeze Protection Thermostat	Opens (°F): 28 +/- 5, Closes (°F): 57 +/- 6		
Indoor Blower Data			
Blower Type	Centrifugal	Centrifugal	Centrifugal
(Qty.) - Wheel Diameter	(1) - 12 x 12	(1) - 12 x 12	(1) - 15 x 15
Drive Type	Belt	Belt	Belt
Standard Blower Drive Motor †			
Motor - Hp / RPM	1 / 1725	1.5 / 1750	1.5 / 1750
Speeds	1	1	1
Frame Size	143T	143T	143T
NEMA Efficiency	Premium Eff.	Premium Eff.	Premium Eff.
Blower RPM Range	727 - 984	773 - 1064	599 - 816
Blower ESP Range (in-WC)	0.2 - 0.9	0.1 - 1.3	0.1 - 1.0
Installed Filters			
Style	Disposable - 2" Pleated		
Size [inches] (Qty.)	16x20 (4)	16x20 (4)	16x25 (4)

Notes:

† Refer to Alternate Accessory Drive Table for other available motor/drive kits

1) Certified in accordance with AHRI Standard 340/360 at the rated airflow shown and the minimum external static duct pressure allowed by the standard. ARI Rating for units with dual voltages are shown at highest rated unit voltage.

2) E.E.R. - Energy Efficiency Ratio: The EER and Net Capacity is determined @ 95°F Outdoor DB and with air entering the evaporator at 80°F DB / 67°F WB

3) IEER - Intergrated Energy Efficiency Ratio: a measure of merit for part load performance of the unit.

H5HK HEATER KIT DATA

UNIT INFORMATION		H5HK Heater Kit Information					
Model	Capacity	Part #	H5HK-	Voltage	kW	Breakers	Limit
P6SP	-072C	917423A	009Q-01	208 / 240	6.8 / 9.0	0	160°F
		917424A	018Q-11		13.1 / 17.4	1	160°F
		920614	030Q-22		21.6 / 28.8	2	180°F
P6SP	-072D	920616	009S-01	480	9.9	0	155°F
		917426A	018S-01		18	0	160°F
		920615	030S-01		28.8	0	180°F
P6SP	-090Ca	917423A	009Q-01	208 / 240	6.8 / 9.0	0	160°F
		917424A	018Q-11		13.1 / 17.4	1	160°F
		920614	030Q-22		21.6 / 28.8	2	180°F
		917425A	035Q-22		26.2 / 34.8	2	210°F *
P6SP	-090Da	920616	009S-01	480	9.9	0	155°F
		917426A	018S-01		18	0	160°F
		920615	030S-01		28.8	0	180°F
		917427A	035S-01		34.8	0	210°F *
P6SP	-120Ca	917423A	009Q-01	208 / 240	6.8 / 9.0	0	160°F
		917424A	018Q-11		13.1 / 17.4	1	160°F
		920614	030Q-22		21.6 / 28.8	2	180°F
		917425A	035Q-22		26.2 / 34.8	2	210°F *
P6SP	-120Da	920616	009S-01	480	9.9	0	155°F
		917426A	018S-01		18	0	160°F
		920615	030S-01		28.8	0	180°F
		917427A	035S-01		34.8	0	210°F *

Note:

- 1) Circuit Breakers included with kits are for heater kit short circuit protection ONLY and are not to be used as a disconnect means.
- 2) * 210°F Limits are included w/ kit & require field installation.

ELECTRIC HEATER KIT TEMPERATURE RISE, REFERENCE DATA

H5HK Model	Voltage	kW	Btuh	CFM Range						
				SCFM	2100	2500	2900	3300	3700	4500
009Q	208	6.8	23,202	Rise (°F)	10	9	7	7	6	5
	240	9.0	30,708		14	11	10	9	8	6
009S	480	9.9	33,779		15	13	11	9	8	7
018Q	208	13.1	44,697	Rise (°F)	20	17	14	13	11	9
	240	17.4	59,369		26	22	19	17	15	12
018S	480	18.0	61,416		27	23	20	17	15	13
030Q	208	21.6	73,699	Rise (°F)	32	27	24	21	18	15
	240	28.8	98,266		43	36	31	28	25	20
030S	480	28.8	98,266		43	36	31	28	25	20
035Q	208	26.2	89,394	Rise (°F)	39	33	29	25	22	18
	240	34.8	118,738		52	44	38	33	30	24
035S	480	34.8	118,738		52	44	38	33	30	24

Recommended Minimum CFM, H5HK heater kits

The minimum air supplied to the H5HK heater kits is dependant upon the installed external static pressure. As a general rule, Nordyne recommends using 350 cfm/ton as a design minimum. However, at start up the temperature rise should always be verify to avoid nuisance tripping.

P6SP ELECTRICAL DATA

Multiple Supply Circuits / Unit Only

Model Number P6SP- (See Notes 2 & 3)	Nominal Unit Voltage (See Note 1)	High Static Kit #	Compressors				Outdoor Motors (2) ea.	Indoor Motor (See Note 4)	Total Unit RLA	Unit Only Circuit	
Factory Unit Electrical Data:											
			Qty	RLA	LRA	FLA	Hp	FLA	RLA	MCA	MOP
-072C	208 - 230 V	Factory Std.	1 ea.	19	123	1.5	1	3.2 - 3.1	25.2	30 - 30	45 - 45
-072D	460 V		1 ea.	9.7	62	0.8		1.5	12.8	16	20
-090Ca	208 - 230 V	Factory Std.	2 ea.	13.1	83.1	2.3	1.5	4.4 - 4.2	35.2	39 - 39	50 - 50
-090Da	460 V		2 ea.	6.1	41	1.2		2.1	16.7	19	20
-120Ca	208 - 230 V	Factory Std.	2 ea.	16.0	110	2.3	1.5	4.4 - 4.2	41.0	45 - 45	60 - 60
-120Da	460 V		2 ea.	7.8	52	1.2		2.1	20.1	22	25
Medium & High Static Drive Electrical Data: (See Note 5)											
-072C	208 - 230 V	920609	1 ea.	19	123	1.5	1.5	4.4 - 4.2	26.4	32 - 31	50 - 45
-072D	460 V	920560	1 ea.	9.7	62	0.8		2.1	13.4	16	25
-090Ca	208 - 230 V	921481	2 ea.	13.1	83.1	2.3	2	6.0 - 5.8	36.8	40 - 40	50 - 50
-090Da	460 V		2 ea.	6.1	41	1.2		2.9	17.5	19	25
-120Ca	208 - 230 V	921645	2 ea.	16.0	110	2.3	2	6.0 - 5.8	42.6	47 - 47	60 - 60
-120Da	460 V		2 ea.	7.8	52	1.2		2.9	20.9	23	30

H5HK Electrical Data - Multiple Supply Circuits

H5HK Heater Kit Model # (See Note 6)	Electric Heat Kit (Field Installed with Multiple Circuit Kit # 917468) Electrical Data Table - Heater ONLY					
	Nominal Heater kW	Line Voltage	Actual Heater kW	Heater Amps (Line)	Heater Only Circuit	
					MCA	MOP
009Q-01	9	208 / 240	6.76 / 9.0	18.76 / 21.65	23.5 / 27.1	25 / 30
018Q-11	18	208 / 240	13.07 / 17.4	36.28 / 41.86	45.3 / 52.3	50 / 60
030Q-22	30	208 / 240	21.63 / 28.80	60.0 / 69.3	75.1 / 86.6	80 / 90
035Q-22	35	208 / 240	26.1 / 34.8	72.55 / 83.72	90.7 / 104.6	100 / 110
009S-01	9	480	9.9	11.91	14.9	15
018S-01	18	480	18	21.65	27.1	30
030S-01	30	480	28.8	34.64	43.3	45
035S-01	35	480	34.8	41.86	52.3	60

NOTES:

- To achieve the rated unit performance, unit voltage should be within 2% of nominal.
- For C series units: Nominal Unit Input Voltage = 208-230 Volt, 60 Hertz, 3 Phase
Minimum allowed unit voltage = 187V, Maximum allowed voltage = 253V
- For D series units: Nominal Unit Input Voltage = 460 Volt, 60 Hertz, 3 Phase
Minimum allowed unit voltage = 414V, Maximum allowed voltage = 506V
- Indoor Motors meet 2010 DOE requirements (Premium Efficient)
- Refer to High Static Drive Kit Installation Instructions for additional information
- Refer to H5HK Kit Installation Instructions for additional information
- FLA = Full Load Amps, MCA = Minimum Circuit Ampacity, RLA = Rated Load Amps
MOP = Maximum Over-Current Protection, LRA = Locked Rotor Amps
- Refer to Single Supply Circuit table for single circuit MCA/MOP data.
- For heater capacity at 230V, multiply 240V kW value by 0.92
- For heater capacity at 460V, multiply 480V kW value by 0.92.

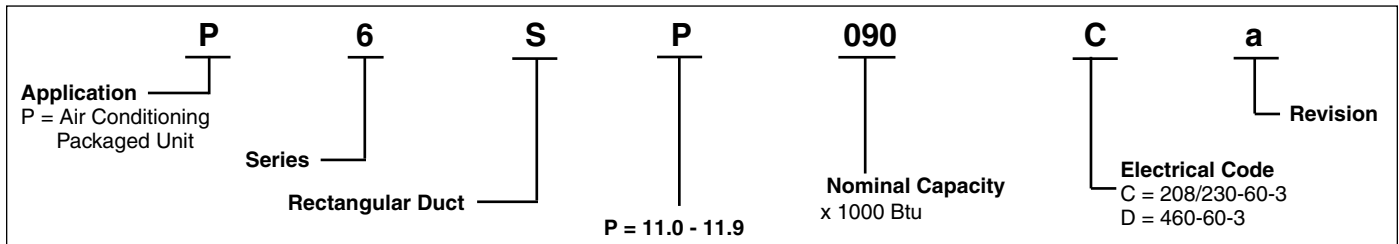
P6SP ELECTRICAL DATA

P6SP Electrical Data - Single Supply Circuits

Model Number P6SP-	Nominal Unit Voltage	High Static Kit #	Single Circuit (Unit + Heater Kit) See Note							
			MCA				MOP			
Factory Unit Electrical Data:										
			9 kW	18 kW	30 kW	35 kW	9 kW	18 kW	30 kW	35 kW
-072C	208 - 230 V	Factory Std.	30 - 31	50 - 57	80 - 91	- N/A -	45 - 45	50 - 60	80 - 100	- N/A -
-072D	460 V		17	29	46	- N/A -	20	30	50	- N/A -
-090Ca	208 - 230 V	Factory Std.	39 - 39	51 - 58	81 - 92	97 - 110	50 - 50	60 - 60	90 - 100	100 - 110
-090Da	460 V		19	30	46	55	20	30	50	60
-120Ca	208 - 230 V	Factory Std.	45 - 45	51 - 58	81 - 92	97 - 110	60 - 60	60 - 60	90 - 100	100 - 110
-120Da	460 V		22	30	46	55	25	30	50	60
Medium & High Static Drive Electrical Data:										
-072C	208 - 230 V	920609	32 - 33	51 - 58	81 - 92	- N/A -	50 - 45	60 - 60	90 - 100	- N/A -
-072D	460 V	920560	18	30	46	- N/A -	25	30	50	- N/A -
-090Ca	208 - 230 V	921481	40 - 40	53 - 60	83 - 94	99 - 112	50 - 50	60 - 60	90 - 100	100 - 125
-090Da	460 V		19	31	47	56	25	35	50	60
-120Ca	208 - 230 V	921645	47 - 47	53 - 60	83 - 94	99 - 112	60 - 60	60 - 60	90 - 100	100 - 125
-120Da	460 V		23	31	47	56	30	35	50	60

NOTE: Nordyne specifically recommends the use of the 917468 Dual Circuit adapter kit for all applications of H5HK 30kW & 35kW Electric Heat Kits.

MODEL IDENTIFICATION CODE



ELECTRICAL DATA FOR POWER EXHAUST ACCESSORY KITS

Model	Part #	Volts	HP	CFM	FLA	Fuse	MCA	MOP
P6SP-072 & 090	547867	230	1/2	2350	3.0	6A	3.75	6.75
P6SP-072 & 090	547868	460	1/2	2350	1.5	3A	1.88	3.38
P6SP-120	547876	230	3/4	4900	4.0	9A	5.00	9.00
P6SP-120	547877	460	3/4	4900	2.0	4A	2.50	4.50

NOTE: Requires separate branch circuit.

HIGH STATIC DRIVE ACCESSORY KITS

PGSP Series Units						
Unit Model #	Motor Hp	E.S.P. Range (in-Wg)	Blower Rpm Range (DF)	Down-flow Kit	Blower Rpm Range (HF)	Horizontal Kit
-072C	1.5 Hp	0.8 - 1.6	931 - 1189	920609	926 - 1159	920609
-072D				920560		920560
-090(C/D)a	2 Hp	0.1 - 1.7	884 - 1216	921481	874 - 1209	921481
-120(C/D)a	2 Hp	0.1 - 1.4	650 - 911	921645	659 - 919	921645

P6SP - EXPANDED RATINGS, COOLING MODE

P6SP-072(C/D)

O.D.T			85°F			95°F			105°F			115°F		
CFM	E.D.B.	E.W.B.	T.C.	S.C.	kW	T.C.	S.C.	kW	T.C.	S.C.	kW	T.C.	S.C.	kW
2250	75	62	68.4	52.3	5.64	63.1	49.9	6.24	57.7	47.6	6.85	52.4	45.2	7.46
		67	76.1	41.1	5.73	70.6	39.0	6.33	65.0	36.8	6.92	59.5	34.7	7.52
		72	84.7	32.3	5.82	78.7	30.2	6.41	72.8	28.2	7.01	66.8	26.1	7.60
	80	62	68.7	63.0	5.65	63.7	60.5	6.21	58.6	57.9	6.78	54.4	54.2	7.47
		67	76.1	52.3	5.74	71.4	50.3	6.28	66.7	48.2	6.83	60.7	45.5	7.54
		72	84.1	41.5	5.85	78.8	39.4	6.37	73.4	37.2	6.89	67.0	34.5	7.55
2400	75	62	69.2	54.2	5.73	63.9	51.7	6.34	58.6	49.3	6.95	53.3	46.8	7.55
		67	77.1	42.4	5.81	71.6	40.0	6.41	66.2	37.6	7.01	60.7	35.2	7.61
		72	85.9	32.3	5.92	79.9	30.5	6.51	73.8	28.7	7.10	67.8	26.9	7.70
	80	62	69.7	64.4	5.75	65.1	61.4	6.35	60.5	58.5	6.95	55.9	55.6	7.55
		67	77.0	54.1	5.82	72.0	51.7	6.43	65.9	49.4	7.08	60.4	47.0	7.71
		72	85.1	42.7	5.92	79.5	40.3	6.50	73.9	37.9	7.09	68.2	35.5	7.67
2550	75	62	70.0	56.0	5.82	64.7	53.5	6.43	59.5	50.9	7.04	54.2	48.4	7.65
		67	78.0	43.7	5.89	72.7	41.0	6.50	67.3	38.4	7.10	61.9	35.7	7.71
		72	87.0	32.2	6.01	81.0	30.7	6.61	74.9	29.1	7.20	68.8	27.6	7.79
	80	62	70.6	65.8	5.85	66.2	62.8	6.45	62.5	60.9	6.97	57.3	56.9	7.63
		67	77.9	56.0	5.90	72.6	53.4	6.50	67.4	50.9	7.11	62.2	48.3	7.71
		72	86.1	43.9	5.98	80.6	41.4	6.59	75.0	38.9	7.19	69.5	36.4	7.79

P6SP-072(C/D) CONTINUED

O.D.T			55°F			65°F			75°F			85°F		
CFM	E.D.B.	E.W.B.	T.C.	S.C.	kW	T.C.	S.C.	kW	T.C.	S.C.	kW	T.C.	S.C.	kW
2250	75	62	78.6	57.9	4.49	75.2	56.0	4.87	71.8	54.2	5.25	68.4	52.3	5.64
		67	86.8	46.7	4.59	83.2	44.8	4.97	79.7	43.0	5.35	76.1	41.1	5.73
		72	95.0	36.1	4.70	91.6	34.8	5.07	88.1	33.6	5.45	84.7	32.3	5.82
	80	62	79.2	68.9	4.47	75.8	66.9	4.85	72.8	65.5	5.21	68.7	63.0	5.65
		67	87.3	58.2	4.57	83.8	56.3	4.95	80.6	54.9	5.31	76.1	52.3	5.74
		72	95.0	45.6	4.69	91.6	44.3	5.06	88.8	43.5	5.41	84.1	41.5	5.85
2400	75	62	79.6	59.7	4.58	76.1	57.8	4.97	72.6	56.0	5.35	69.2	54.2	5.73
		67	87.6	48.0	4.68	84.1	46.1	5.06	80.6	44.3	5.44	77.1	42.4	5.81
		72	95.6	36.0	4.79	92.4	34.8	5.17	89.1	33.5	5.54	85.9	32.3	5.92
	80	62	80.2	70.6	4.57	76.7	68.7	4.95	73.6	67.3	5.31	69.7	64.4	5.75
		67	88.1	59.5	4.66	84.6	57.6	5.03	81.5	56.2	5.39	77.0	54.1	5.82
		72	95.6	45.5	4.78	92.4	44.2	5.15	89.8	43.4	5.50	85.1	42.7	5.92
2550	75	62	80.5	61.5	4.68	77.0	59.6	5.06	73.5	57.8	5.44	70.0	56.0	5.82
		67	88.3	49.3	4.77	84.9	47.4	5.15	81.5	45.6	5.52	78.0	43.7	5.89
		72	96.2	35.9	4.88	93.1	34.7	5.26	90.1	33.4	5.64	87.0	32.2	6.01
	80	62	81.1	72.4	4.66	77.6	70.5	5.04	74.5	69.2	5.40	70.6	65.8	5.85
		67	88.8	60.8	4.75	85.5	58.9	5.12	82.4	57.5	5.48	77.9	56.0	5.90
		72	96.2	45.4	4.88	93.2	44.1	5.24	90.8	43.4	5.60	86.1	43.9	5.98

Notes:

- 1) T.C. = Total (Net) Cooling Capacity, S.C. = Sensible Cooling Capacity, kW = Kilowatts
- 2) Expanded Ratings are based on 230 Volt - 60 Hz operation
- 3) Ratings based on factory standard blower drive
- 4) Bolded Values indicate ARI rating points
- 5) Energy Efficiency Ratio (EER) = T.C. / kW

P6SP - EXPANDED RATINGS, COOLING MODE (Continued)

P6SP-090(C/D)a (Two Compressor Operation)

O.D.T			85°F			95°F			105°F			115°F		
CFM	E.D.B.	E.W.B.	T.C.	S.C.	kW	T.C.	S.C.	kW	T.C.	S.C.	kW	T.C.	S.C.	kW
2825	75	62	85.3	65.2	7.08	81.3	63.9	7.74	73.4	62.7	8.84	68.5	61.2	9.39
		67	93.3	52.4	7.19	88.8	51.2	7.84	80.1	50.0	8.94	74.8	48.6	9.46
		72	101.9	39.3	7.31	97.3	38.0	7.97	87.7	36.7	9.06	82.0	35.3	9.59
	80	62	86.0	76.5	7.09	82.2	75.5	7.75	74.3	74.5	8.85	69.8	73.6	9.40
		67	92.9	64.4	7.18	88.6	63.4	7.84	80.0	62.4	8.94	74.7	61.2	9.46
		72	101.7	51.4	7.31	97.0	50.4	7.96	87.5	49.3	9.06	81.6	48.1	9.58
3000	75	62	86.8	69.4	7.27	82.7	68.1	7.93	74.5	66.8	9.05	69.5	65.3	9.57
		67	94.6	55.2	7.38	90.0	54.0	8.03	80.9	52.7	9.14	75.3	51.3	9.64
		72	103.5	40.4	7.51	98.6	39.1	8.17	88.8	37.8	9.27	82.9	36.3	9.78
	80	62	87.9	81.9	7.29	84.3	81.8	7.96	76.6	80.3	9.08	72.2	76.4	9.60
		67	94.5	68.5	7.38	90.0	67.5	8.04	81.2	66.5	9.14	75.6	65.3	9.65
		72	103.1	54.2	7.51	98.2	53.1	8.16	88.4	52.0	9.26	82.5	50.9	9.78
3190	75	62	87.9	73.3	7.46	83.7	72.0	8.12	75.3	70.7	9.24	70.2	69.1	9.75
		67	95.3	57.8	7.57	90.3	56.5	8.22	81.2	55.1	9.32	75.7	53.6	9.82
		72	104.6	41.4	7.71	99.5	40.1	8.36	89.6	38.7	9.46	83.5	37.3	9.95
	80	62	90.3	88.4	7.50	86.7	86.3	8.16	78.7	78.3	8.49	74.0	73.7	9.80
		67	95.6	72.5	7.57	91.1	71.4	8.23	82.0	70.4	8.56	76.6	69.2	9.83
		72	104.1	56.8	7.70	98.9	55.7	8.35	88.9	54.7	8.68	82.4	53.4	9.95

P6SP-090 (C/D)a (One Compressor operation)

O.D.T			55 °F			65 °F			75 °F			85 °F		
CFM	E.D.B.	E.W.B.	T.C.	S.C.	kW	T.C.	S.C.	kW	T.C.	S.C.	kW	T.C.	S.C.	kW
2825	75	62	58.5	52.6	3.74	52.5	47.2	3.88	48.0	44.1	4.10	45.0	43.2	4.42
		67	64.7	44.3	3.81	58.8	38.9	3.95	54.3	35.8	4.18	51.3	34.9	4.49
		72	71.7	35.0	3.90	65.8	29.7	4.04	61.3	26.6	4.26	58.2	25.7	4.57
	80	62	59.3	59.3	3.78	53.3	53.3	3.92	48.8	48.8	4.15	45.8	45.8	4.46
		67	64.6	57.4	3.85	58.7	52.0	3.98	54.2	48.9	4.21	51.1	48.0	4.52
		72	70.5	49.5	3.92	64.6	44.1	4.06	60.1	41.0	4.28	57.0	40.1	4.59
3000	75	62	59.0	53.7	3.77	53.1	48.3	3.91	48.6	45.2	4.14	45.5	44.3	4.45
		67	65.3	45.3	3.85	59.4	40.0	3.99	54.9	36.9	4.21	51.8	36.0	4.53
		72	72.2	36.1	3.93	66.3	30.8	4.07	61.8	27.6	4.30	58.8	26.8	4.61
	80	62	59.8	59.8	3.82	53.9	53.9	3.96	49.4	49.4	4.18	46.3	46.3	4.49
		67	65.1	58.4	3.88	59.2	53.1	4.02	54.7	50.0	4.24	51.6	49.1	4.56
		72	71.1	50.6	3.95	65.1	45.2	4.09	60.6	42.1	4.32	57.6	41.2	4.63
3190	75	62	59.5	55.3	3.77	53.6	50.0	3.90	49.1	46.8	4.13	46.0	46.0	4.44
		67	65.8	47.0	3.84	59.8	41.6	3.98	55.3	38.5	4.20	52.3	37.6	4.52
		72	72.7	37.8	3.92	66.8	32.4	4.06	62.3	29.3	4.29	59.2	28.4	4.60
	80	62	60.3	60.3	3.81	54.4	54.4	3.95	49.9	49.9	4.17	46.8	46.8	4.49
		67	65.6	60.1	3.87	59.7	54.7	4.01	55.2	51.6	4.24	52.1	50.7	4.55
		72	71.5	52.2	3.94	65.6	46.9	4.08	61.1	43.7	4.31	58.0	42.9	4.62

Notes:

- 1) T.C. = total (Net) cooling in kBtu/h; S.C. = Sensible Cooling in kBtu/h; kW = Kilowatts
- 2) Ratings are based on the Factory Standard blower drive combination
- 3) For 208-230V Units, the ratings shown reflect 230V operation
- 4) **Bolded** Values indicate AHRI rating points
- 5) Energy Efficiency Ratio (EER) = T.C./kW

P6SP - EXPANDED RATINGS, COOLING MODE (Continued)

P6SP-120(C/D)a (Two Compressor Operation)

O.D.T			85°F			95°F			105°F			115°F		
CFM	E.D.B.	E.W.B.	T.C.	S.C.	kW	T.C.	S.C.	kW	T.C.	S.C.	kW	T.C.	S.C.	kW
3500	75	62	112.7	86.5	9.36	107.5	84.9	10.24	97.0	83.3	11.68	90.5	81.3	12.41
		67	123.3	69.6	9.50	117.4	68.0	10.37	105.9	66.3	11.82	98.8	64.5	12.50
		72	134.7	52.2	9.67	128.6	50.5	10.53	115.9	48.7	11.98	108.4	46.9	12.68
	80	62	113.7	101.5	9.37	108.6	100.3	10.25	98.2	98.9	11.71	92.3	97.8	12.43
		67	122.8	85.5	9.49	117.2	84.2	10.36	105.7	82.8	11.82	98.8	81.3	12.51
		72	134.4	68.3	9.67	128.2	66.9	10.53	115.6	65.5	11.98	107.9	63.9	12.67
4000	75	62	114.8	92.1	9.62	109.3	90.4	10.49	98.5	88.7	11.96	91.8	86.7	12.65
		67	125.0	73.3	9.76	118.9	71.6	10.62	107.0	70.0	12.08	99.6	68.1	12.74
		72	136.8	53.6	9.93	130.3	51.9	10.80	117.4	50.1	12.25	109.6	48.2	12.93
	80	62	116.2	108.8	9.64	111.5	108.6	10.52	101.3	106.6	12.01	95.4	101.5	12.69
		67	124.9	91.0	9.75	119.0	89.6	10.62	107.3	88.3	12.09	100.0	86.7	12.75
		72	136.3	71.9	9.93	129.8	70.5	10.79	116.9	69.1	12.25	109.1	67.6	12.92
4500	75	62	116.2	97.4	9.87	110.7	95.6	10.74	99.6	93.9	12.22	92.8	91.8	12.89
		67	125.9	76.8	10.00	119.4	75.0	10.86	107.3	73.2	12.33	100.0	71.2	12.98
		72	138.2	55.0	10.19	131.6	53.2	11.05	118.4	51.4	12.51	110.4	49.5	13.16
	80	62	119.4	117.4	9.91	114.6	114.6	10.79	104.0	104.0	11.22	97.8	97.8	12.95
		67	126.4	96.2	10.01	120.4	94.9	10.88	108.5	93.5	11.31	101.2	91.9	13.00
		72	137.6	75.4	10.18	130.7	74.0	11.04	117.5	72.6	11.48	108.9	70.9	13.16

P6SP-120(C/D)a (One compressor operation)

O.D.T			55 °F			65 °F			75 °F			85 °F		
CFM	E.D.B.	E.W.B.	T.C.	S.C.	kW	T.C.	S.C.	kW	T.C.	S.C.	kW	T.C.	S.C.	kW
3500	75	62	65.9	49.1	4.50	61.8	46.9	4.80	56.8	44.3	5.10	50.7	41.4	5.50
		67	73.8	37.5	4.70	69.8	35.3	5.00	64.7	32.7	5.30	58.7	29.8	5.70
		72	82.6	27.7	4.80	78.6	25.5	5.10	73.5	22.9	5.50	67.5	19.9	5.90
	80	62	69.9	58.8	4.30	65.9	56.6	4.60	60.9	54.0	5.00	54.8	51.0	5.30
		67	76.7	47.9	4.50	72.6	45.6	4.70	67.6	43.1	5.10	61.5	40.1	5.50
		72	84.2	36.5	4.60	80.1	34.3	4.90	75.1	31.7	5.20	69.0	28.8	5.60
4000	75	62	66.9	50.5	4.90	62.9	48.3	5.20	57.9	45.7	5.50	51.8	42.8	5.90
		67	74.9	38.8	5.00	70.8	36.5	5.30	65.8	34.0	5.60	59.7	31.0	6.00
		72	83.7	28.8	5.20	79.6	26.6	5.40	74.6	24.0	5.80	68.5	21.0	6.20
	80	62	68.8	58.9	5.00	64.8	56.7	5.20	59.8	54.1	5.60	53.7	51.2	6.00
		67	75.5	48.4	5.10	71.5	46.2	5.30	66.5	43.6	5.70	60.4	40.7	6.10
		72	83.0	37.5	5.20	79.0	35.3	5.40	74.0	32.7	5.80	67.9	29.7	6.20
4500	75	62	68.0	51.9	5.20	64.0	49.7	5.50	58.9	47.1	5.80	52.9	44.2	6.20
		67	75.9	40.0	5.40	71.9	37.8	5.60	66.9	35.2	6.00	60.8	32.2	6.40
		72	84.7	29.9	5.50	80.7	27.7	5.80	75.7	25.1	6.10	69.6	22.1	6.50
	80	62	67.9	59.0	5.60	63.9	56.8	5.90	58.9	54.2	6.20	52.8	51.3	6.60
		67	74.4	49.0	5.70	70.4	46.7	5.90	65.4	44.1	6.30	59.3	41.2	6.70
		72	82.3	38.1	5.70	78.2	35.9	6.00	73.2	33.3	6.30	67.1	30.3	6.70

Notes:

- 1) T.C. = total (Net) cooling in kBtuh; S.C. = Sensible Cooling in kBtuh; kW = Kilowatts
- 2) Ratings are based on the Factory Standard blower drive combination
- 3) For 208-230V Units, the ratings shown reflect 230V operation
- 4) Bolded Values indicate AHRI rating points
- 5) Energy Efficiency Ratio (EER) = T.C./kW

BLOWER PERFORMANCE - DOWNFLOW CONFIGURATION

P6SP-072(C/D)

Factory Standard: 1Hp Down-flow Performance Chart

‡ Indicates Factory Sheave Setting

External Unit Static (in-Wg)	Operating @ 230 or 460 Volts	Adjustable Motor Sheave Setting											
		Fully Closed	1/2 Turn Open	1 Turn Open	1.5 Turns Open	2.0 Turns Open	2.5 Turns Open	3.0 Turns Open	3.5 Turns Open	4.0 Turns Open	4.5 Turns Open	5.0 Turns Open ‡	
0.2	CFM										2656	2539	2422
	RPM										797	771	744
	kW										0.81	0.73	0.66
0.3	CFM							2751	2617	2483	2334	2185	
	RPM							850	826	801	774	747	
	kW							0.94	0.85	0.76	0.67	0.58	
0.4	CFM							2680	2559	2405	2251	2098	1945
	RPM							874	852	829	805	778	750
	kW							0.95	0.86	0.76	0.66	0.59	0.52
0.5	CFM							2593	2458	2322	2181	2040	1870
	RPM							897	876	855	831	807	780
	kW							0.96	0.88	0.80	0.71	0.62	0.54
0.6	CFM							2395	2255	2115	1960	1805	
	RPM							901	880	858	834	809	
	kW							0.87	0.79	0.71	0.63	0.55	
0.7	CFM			2509	2362	2214	2042	1870					
	RPM			956	930	904	883	861					
	kW			1.01	0.91	0.81	0.72	0.63					
0.8	CFM		2403	2318	2158	1998							
	RPM		981	959	933	907							
	kW		1.00	0.92	0.82	0.72							
0.9	CFM		2230	2112	1960	1807							
	RPM		984	962	936	910							
	kW		0.94	0.83	0.75	0.68							
1.0	CFM												
	RPM												
	kW												

Values includes losses for: Unit Casing, 2" Disposable (Pleated) Filters & Dry Evaporator Coil
 When used with H5HK Heater kits, not all operational points shown may be available for use. Refer to the H5HK Installation Instructions to determine the minimum airflow requirements of the applicable heater assembly.
 Deduct 250 Cfm for electric heater kits

BLOWER PERFORMANCE - HORIZONTAL FLOW CONFIGURATION

P6SP-072(C/D)

Factory Standard: 1.5Hp Horizontal Performance Chart

‡ Indicates Factory Sheave Setting for Pre-configured Units

External Unit Static (in-Wg)	Operating @ 230 or 460 Volts	Adjustable Motor Sheave Setting											
		Fully Closed	1/2 Turn Open	1 Turn Open	1.5 Turns Open ‡	2.0 Turns Open	2.5 Turns Open	3.0 Turns Open	3.5 Turns Open	4.0 Turns Open	4.5 Turns Open	5.0 Turns Open	
0.2	CFM												2665
	RPM												727
	kW												0.74
0.3	CFM										2720	2584	2447
	RPM										781	755	729
	kW										0.82	0.75	0.67
0.4	CFM									2654	2504	2346	2188
	RPM									808	784	757	730
	kW									0.85	0.74	0.67	0.60
0.5	CFM								2591	2425	2258	2081	1904
	RPM								836	812	788	760	731
	kW								0.88	0.77	0.67	0.60	0.54
0.6	CFM					2687	2518	2349	2177	2005			
	RPM					885	862	838	815	791			
	kW					0.98	0.88	0.79	0.69	0.59			
0.7	CFM					2460	2276	2092					
	RPM					889	865	841					
	kW					0.90	0.80	0.70					
0.8	CFM			2572	2383	2193	2007	<i>1821</i>					
	RPM			937	915	892	869	<i>846</i>					
	kW			1.04	0.93	0.82	0.73	<i>0.63</i>					
0.9	CFM			2325	2137	1948							
	RPM			940	919	898							
	kW			0.93	0.82	0.72							
1.0	CFM												
	RPM												
	kW												

Values includes losses for: Unit Casing, 2" Disposable (Pleated) Filters & Dry Evaporator Coil

When utilized with H5HK Heater kits, not all operational points shown may be available for use. Refer to the H5HK Installation Instructions to determine the minimum airflow requirements of the applicable heater assembly.

Deduct 250 Cfm for electric heater kits

BLOWER PERFORMANCE - DOWNFLOW CONFIGURATION

P6SP-090(C/D)a

Factory Standard: 1.5Hp Downflow Performance Chart

‡ Indicates Factory Sheave Setting

External Unit Static (in-Wg)	Operating @ 230 or 460 Volts	Adjustable Motor Sheave Setting													
		Fully Closed	1/2 Turn Open	1 Turn Open	1.5 Turns Open	2 Turns Open	2.5 Turns Open	3 Turns Open	3.5 Turns Open	4 Turns Open	4.5 Turns Open ‡	5 Turns Open	5.5 Turns Open	6 Turns Open	
0.1	CFM									3620	3515	3400	3285	3187	3089
	RPM									893	870	847	823	803	783
	kW									1.47	1.35	1.25	1.15	1.06	0.98
0.2	CFM							3590	3477	3363	3248	3132	3031	2930	
	RPM							918	895	872	848	825	805	785	
	kW							1.50	1.39	1.28	1.18	1.08	1.00	0.92	
0.3	CFM						3549	3441	3331	3220	3097	2973	2864	2755	
	RPM						941	920	897	873	850	827	807	786	
	kW						1.55	1.44	1.33	1.22	1.12	1.02	0.94	0.86	
0.4	CFM					3532	3419	3306	3185	3063	2932	2800	2687	2574	
	RPM					965	944	923	899	876	853	830	809	788	
	kW					1.58	1.47	1.36	1.25	1.14	1.05	0.95	0.87	0.80	
0.5	CFM					3382	3267	3152	3021	2889	2750	2611	2484	2357	
	RPM					968	947	925	902	878	855	832	811	790	
	kW					1.50	1.39	1.28	1.17	1.07	0.97	0.87	0.80	0.72	
0.6	CFM				3339	3239	3115	2991	2846	2700	2549	2398	2257		
	RPM				990	972	950	928	904	881	857	833	813		
	kW				1.52	1.41	1.30	1.20	1.09	0.99	0.89	0.80	0.72		
0.7	CFM			3294	3184	3074	2942	2810	2652	2493	2316				
	RPM			1011	993	975	953	930	907	884	859				
	kW			1.55	1.44	1.33	1.22	1.11	1.01	0.90	0.81				
0.8	CFM			3136	3024	2911	2762	2613	2435	2257					
	RPM			1013	995	978	955	933	910	887					
	kW			1.45	1.35	1.24	1.13	1.03	0.92	0.81					
0.9	CFM		3082	2979	2850	2720	2548	2376							
	RPM		1033	1016	998	980	958	935							
	kW		1.48	1.36	1.25	1.15	1.03	0.92							
1.0	CFM	3012	2897	2789	2647	2505	2301								
	RPM	1054	1036	1019	1001	984	961								
	kW	1.48	1.38	1.26	1.15	1.04	0.93								
1.1	CFM	2834	2718	2572	2407	2242									
	RPM	1058	1041	1024	1005	987									
	kW	1.36	1.27	1.16	1.05	0.93									
1.2	CFM	2630	2485	2335											
	RPM	1061	1045	1028											
	kW	1.26	1.16	1.04											
1.3	CFM	2405	2237												
	RPM	1064	1049												
	kW	1.14	1.04												

Values includes losses for: Unit Casing, 2" Disposable (Pleated) Filters & Dry Evaporator Coil
 When utilized with H5HK Heater kits, not all operational points shown may be available for use. Refer to the H5HK Installation Instructions to determine the minimum airflow requirements of the applicable heater assembly.
 Deduct 250 Cfm for electric heater kits

BLOWER PERFORMANCE HORIZONTAL FLOW CONFIGURATION

P6SP-090(C/D)a

Factory Standard: 1.5Hp Horizontal Performance Chart

‡ Indicates Factory Sheave Setting for Pre-configured Units

External Unit Static (in-Wg)	Operating @ 230 or 460 Volts	Adjustable Motor Sheave Setting																					
		Fully Closed	1/2 Turn Open	1 Turn Open	1.5 Turns Open	2 Turns Open	2.5 Turns Open	3 Turns Open	3.5 Turns Open	4 Turns Open	4.5 Turns Open ‡	5 Turns Open	5.5 Turns Open	6 Turns Open									
0.1	CFM								3722	3610	3496	3382	3263	3143									
	RPM								889	864	844	824	799	773									
	kW								1.52	1.39	1.29	1.19	1.09	0.99									
0.2	CFM							3695	3577	3458	3338	3217	3094	2970									
	RPM							917	893	869	847	825	800	775									
	kW							1.57	1.45	1.32	1.23	1.13	1.03	0.93									
0.3	CFM							3552	3429		3306	3173	3039	2912	2785								
	RPM							920	897		873	850	826	801	776								
	kW							1.48	1.37		1.25	1.15	1.05	0.96	0.86								
0.4	CFM						3498		3387	3266	3144	3004	2863	2728	2592								
	RPM						943		923	899	875	851	828	804	779								
	kW						1.51		1.41	1.29	1.17	1.08	0.98	0.89	0.80								
0.5	CFM					3471		3353	3234	3100	2966	2820	2673	2523	2372								
	RPM					965		945	925	901	876	853	830	806	782								
	kW					1.54		1.43	1.32	1.21	1.09	1.00	0.91	0.82	0.73								
0.6	CFM				3415		3309	3186	3062	2919	2776	2616	2455	2282									
	RPM				986		966	947	928	904	879	856	833	809									
	kW				1.57		1.46	1.34	1.23	1.12	1.01	0.92	0.83	0.74									
0.7	CFM											3360	3251	3142	3012	2881	2722	2563	2388	2212			
	RPM												1010	990	971	951	931	907	882	859	835		
	kW												1.58	1.47	1.35	1.25	1.15	1.04	0.92	0.83	0.74		
0.8	CFM												3211	3091	2970	2828	2686	2505	2323				
	RPM												1014	994	975	954	934	910	886				
	kW												1.50	1.38	1.26	1.16	1.05	0.94	0.83				
0.9	CFM													3140	3032	2902	2771	2610	2449	2245			
	RPM													1031	1017	998	978	957	936	913			
	kW													1.50	1.39	1.28	1.16	1.06	0.96	0.85			
1.0	CFM																						
	RPM																						
	kW																						
1.1	CFM																						
	RPM																						
	kW																						
1.2	CFM																						
	RPM																						
	kW																						
1.3	CFM																						
	RPM																						
	kW																						

Values includes losses for: Unit Casing, 2" Disposable (Pleated) Filters & Dry Evaporator Coil
 When utilized with H5HK Heater kits, not all operational points shown may be available for use. Refer to the H5HK Installation Instructions to determine the minimum airflow requirements of the applicable heater assembly.
 Deduct 250 Cfm for electric heater kits

BLOWER PERFORMANCE DOWNFLOW CONFIGURATION

P6SP-120(C/D)a

Factory Standard: 1.5Hp Down-flow Performance Chart

‡ Indicates Factory Sheave Setting

External Unit Static (in-Wg)	Operating @ 230 or 460 Volts	Adjustable Motor Sheave Setting													
		Fully Closed	1/2 Turn Open	1 Turn Open	1.5 Turns Open	2 Turns Open	2.5 Turns Open ‡	3 Turns Open	3.5 Turns Open	4 Turns Open	4.5 Turns Open	5 Turns Open	5.5 Turns Open	6 Turns Open	
0.1	CFM							4468	4349	4230	4086	3942	3804	3665	
	RPM							706	689	672	653	633	616	599	
	kW							1.54	1.43	1.32	1.23	1.14	1.04	0.93	
0.2	CFM						4412	4244	4124	4003	3847	3690	3546	3402	
	RPM						725	708	691	674	655	635	618	601	
	kW						1.58	1.44	1.34	1.24	1.15	1.06	0.96	0.86	
0.3	CFM						4192	4042	3888	3733	3589	3445	3287	3129	
	RPM						727	710	693	676	657	637	620	603	
	kW						1.49	1.36	1.26	1.15	1.07	0.99	0.89	0.78	
0.4	CFM					4106	3951	3796	3631	3466	3316	3165	2993		
	RPM					745	729	712	695	678	659	639	623		
	kW					1.51	1.39	1.27	1.17	1.08	0.99	0.91	0.81		
0.5	CFM				3998	3871	3706	3540	3368	3196	3017				
	RPM				761	747	731	714	697	680	661				
	kW				1.51	1.42	1.30	1.18	1.09	0.99	0.90				
0.6	CFM		4016	3903	3760	3616	3428	3240	3052						
	RPM		791	777	763	749	733	716	700						
	kW		1.59	1.49	1.41	1.32	1.20	1.09	0.98						
0.7	CFM	3903	3801	3693	3512	3330	3118								
	RPM	806	793	779	766	752	736								
	kW	1.59	1.48	1.39	1.31	1.23	1.10								
0.8	CFM	3654	3542	3406	3214	3022									
	RPM	808	795	781	768	754									
	kW	1.49	1.38	1.27	1.19	1.11									
0.9	CFM	3356	3232	3074											
	RPM	810	797	783											
	kW	1.36	1.26	1.15											
1.0	CFM	3013													
	RPM	812													
	kW	1.21													

Values includes losses for: Unit Casing, 2" Disposable (Pleated) Filters & Dry Evaporator Coil
 When utilized with H5HK Heater kits, not all operational points shown may be available for use. Refer to the H5HK Installation Instructions to determine the minimum airflow requirements of the applicable heater assembly.
 Deduct 250 Cfm for electric heater kits

BLOWER PERFORMANCE HORIZONTAL FLOW CONFIGURATION

P6SP-120(C/D)a

Factory Standard: 1.5Hp Horizontal Performance Chart

‡ Indicates Factory Sheave Setting for Pre-configured Units

External Unit Static (in-Wg)	Operating @ 230 or 460 Volts	Adjustable Motor Sheave Setting													
		Fully Closed	1/2 Turn Open	1 Turn Open	1.5 Turns Open	2 Turns Open	2.5 Turns Open ‡	3 Turns Open	3.5 Turns Open	4 Turns Open	4.5 Turns Open	5 Turns Open	5.5 Turns Open	6 Turns Open	
0.1	CFM								4425	4303	4157	4011	3878	3745	
	RPM								688	671	653	635	617	599	
	kW								1.44	1.33	1.23	1.12	1.04	0.95	
0.2	CFM							4366	4227	4087	3951	3815	3665	3515	
	RPM							707	690	672	655	637	619	601	
	kW							1.48	1.36	1.25	1.15	1.05	0.97	0.88	
0.3	CFM							4278	4137	3994	3850	3694	3537	3369	3201
	RPM							725	709	692	674	656	638	620	602
	kW							1.50	1.39	1.28	1.17	1.07	0.98	0.89	0.80
0.4	CFM						4198	4061	3923	3763	3602	3425	3248	3071	
	RPM						743	727	711	694	676	658	640	623	
	kW						1.52	1.41	1.30	1.19	1.09	0.99	0.89	0.81	
0.5	CFM						3969	3816	3662	3490	3318	3127			
	RPM						746	729	712	695	677	660			
	kW						1.44	1.32	1.20	1.10	0.99	0.89			
0.6	CFM					3851	3719	3543	3366	3181	2996				
	RPM					764	749	732	714	698	681				
	kW					1.44	1.33	1.22	1.11	1.00	0.90				
0.7	CFM			3749	3594	3438	3232	3026							
	RPM			781	767	752	734	716							
	kW			1.44	1.33	1.22	1.11	1.00							
0.8	CFM		3614	3487	3298	3109									
	RPM		795	785	771	756									
	kW		1.44	1.34	1.22	1.10									
0.9	CFM	3515	3352	3184	2946										
	RPM	813	801	789	773										
	kW	1.43	1.32	1.21	1.09										
1.0	CFM	3218	2993												
	RPM	816	805												
	kW	1.31	1.18												

Values includes losses for: Unit Casing, 2" Disposable (Pleated) Filters & Dry Evaporator Coil

When utilized with H5HK Heater kits, not all operational points shown may be available for use. Refer to the H5HK Installation Instructions to determine the minimum airflow requirements of the applicable heater assembly.

Deduct 250 Cfm for electric heater kits

ACCESSORIES

NORDYNE Part #	Description	P6SP - 072	P6SP - 090	P6SP - 120
559914	Horizontal Supply & Return Kit	X	X	
547881	Horizontal Supply & Return Kit			X
547860	Hinged Roof Curb 8" High - K/D	X	X	X
547861	Hinged Roof Curb 14" High - K/D	X	X	X
547862	Hinged Roof Curb 18" High - K/D	X	X	X
547863	Hinged Roof Curb 24" High - K/D	X	X	X
559411	Hooded Hail Guard		X	
558857	Hooded Hail Guard			X
547864	0-35% Manual Outside Air Damper	X	X	
547874	0-35% Manual Outside Air Damper			X
547865	0-35% Motorized Damper - Only (Requires 547864 OR 547874 Panel Kit)	X	X	X
559375	Economizer - Modulating w/ Relief, Adapts Horizontal	X	X	
559374	Economizer - Modulating w/ Relief, Adapts Horizontal			X
920233	Sensor, Enthalpy, C7400A (For Economizer Differential Enthalpy Control)	X	X	X
547848	CO2 Sensor for economizer control - 4-9v dc	X	X	X
547867	Power Exhaust - Prop (208/230v/3ph), Adapts Horizontal	X	X	
547868	Power Exhaust - Prop (460v/3ph), Adapts Horizontal	X	X	
547876	Power Exhaust - Prop (208/230v/3ph), Adapts Horizontal			X
547877	Power Exhaust - Prop (460v/3ph), Adapts Horizontal			X
547869	20" Supply & Return Transition Round	X	X	
547870	20" Flush Mount Concentric Diffuser Round	X	X	
547871	20" Step Down Concentric Diffuser Round	X	X	
547878	18" x 28" Supply & Return Transition			X
547879	18" x 28" Flush Mount Concentric Diffuser			X
547880	18" x 28" Step Down Concentric Diffuser			X
558863	Duct Smoke Detector Photo Elect.	X	X	X
558866	Duct Smoke Detector, Remote Multi-signal control	X	X	X
558864	Smoke Detector Sampling Tube DST3, 2-4 ft.	X	X	X
558865	Smoke Detector Sampling Tube DST5, 4-8 ft.	X	X	X
920463	Low Ambient Kit	X	X	X
920464	Bottom Power Entry Kit	X	X	
917454	Bottom Power Entry Kit			X
917423A	H5HK009Q-01 9KW - 208/240V, 3Ø	X	X	X
917424A	H5HK018Q-11 18KW - 208/240V, 3Ø	X	X	X
920614	H5HK030Q-22 30KW - 208/240V, 3Ø	X	X	X
917425A	H5HK035Q-22 35KW - 208/240V, 3Ø		X	X
920616	H5HK009S-01 9KW - 480V, 3Ø	X	X	X
917426A	H5HK018S-01 18KW - 480V, 3Ø	X	X	X
920615	H5HK030S-01 30KW - 480V, 3Ø	X	X	X
917427A	H5HK035S-01 35KW - 480V, 3Ø		X	X
917468	3 Pole, Dual Circuit Adapter Kit	X	X	X
920619	Thermostat-3 Stage Heat/2 Stage Cool (requires "O" & "B" terminals)	X	X	X

Note:

Requires separate branch circuit, see table Electrical Data For Power Exhaust Accessory Kits, pg 10



GENERAL TERMS OF LIMITED WARRANTY

NORDYNE will furnish a replacement for any part of this product which fails in normal use and service, in accordance with the terms of the warranty.

For complete details of the Limited Warranty, including applicable terms and conditions, see your local installer or contact the NORDYNE warranty department for a copy.



COMPLETE COMFORT. GENUINE VALUE.

Specifications and illustrations subject to change without notice and without incurring obligations. Printed in U.S.A (06/2014)

715D-0614 (Replaces 715D-0511)