

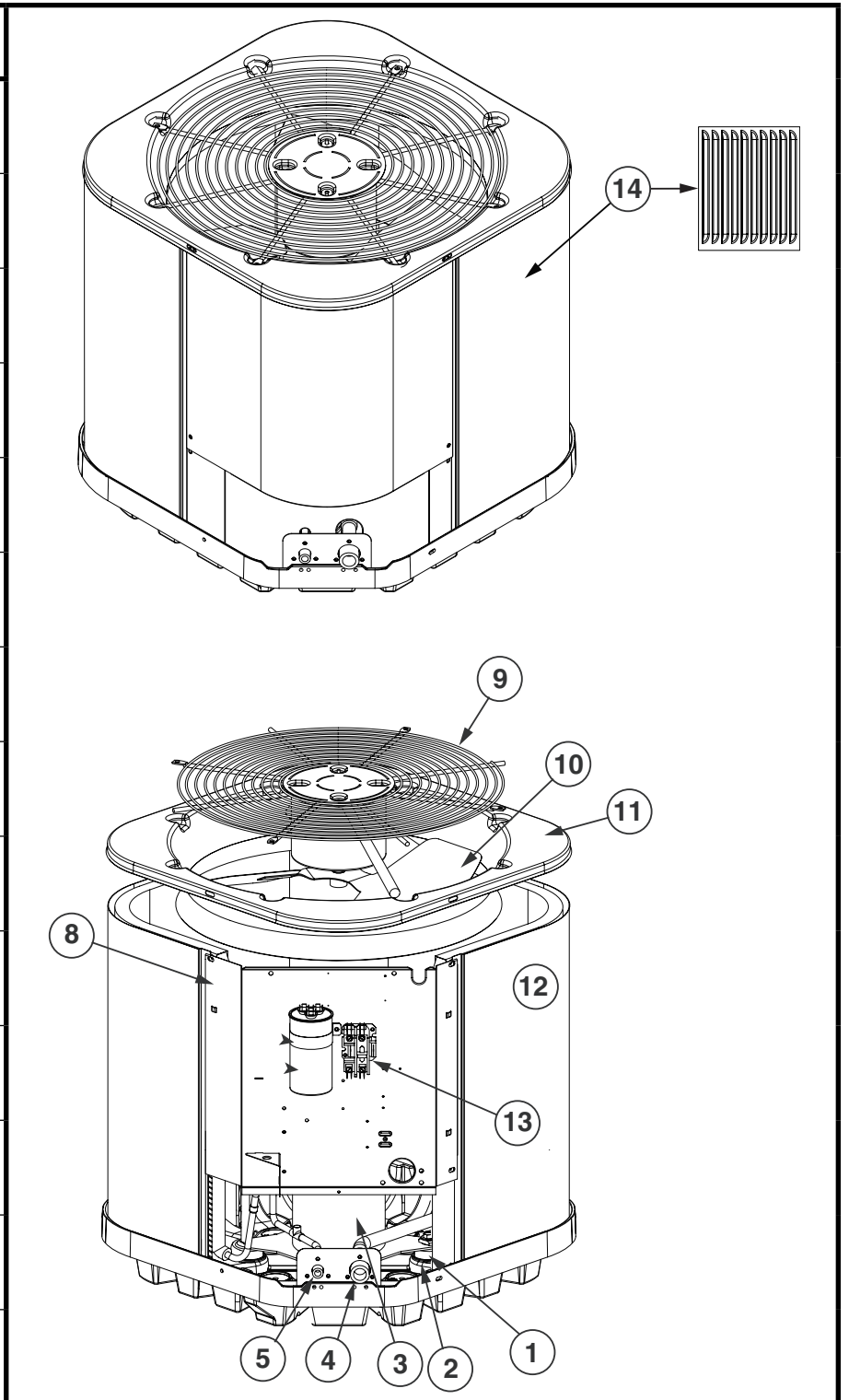
REPLACEMENT PARTS LIST

MANUFACTURED HOUSING SPLIT SYSTEM AIR CONDITIONER

ES4QE & ES6QF SERIES

14 SEER MODELS

ITEM #	COMPONENT
1	COMPRESSOR BOLT
2	COMPRESSOR GROMMET
3	COMPRESSOR
4	REFRIGERANT VALVE (LG)
5	REFRIGERANT VALVE (SM)
6	CAPACITOR
7	OUTDOOR FAN MOTOR
8	MOTOR WIRE CONDUIT
9	OUTDOOR FAN GRILLE
10	OUTDOOR FAN BLADE
11	TOP PAN
12	OUTDOOR COIL
13	CONTACTOR
14	OUTDOOR COIL GUARD



ES4QE & ES6QF SERIES MANUFACTURED HOUSING SPLIT SYSTEM AIR CONDITIONER

DESCRIPTION	ES4QE-024KA	ES4QE-030KA	ES4QE-036KA	ES6QF-042K	ES6QF-048K
	922542E	922543E	922544E	922596E	922597E
CAPACITOR	01-0083	01-0084	01-0085	01-0273	01-0271
COMPRESSOR	918868	918869	918874	918871	919607
COMPRESSOR MOLDED PLUG	634660R	634660R	634660R	634660R	634660R
CONTACTOR	624826	624826	624826	624826	624827
HIGH PRESSURE SWITCH	632473R	632473R	632473R	632473R	632473R
OUTDOOR COIL	664826R	2B5231R	664702R	664892R	664892R
OUTDOOR COIL GUARD	277523R	277532R	277534R	277536R	277536R
OUTDOOR FAN BLADE	667261R	667383	667383	667383	667351R
OUTDOOR FAN GRILLE	669334R	669335R	669335R	669335R	669335R
OUTDOOR FAN MOTOR	621919	622171	621990	621972	622656
REFRIGERANT VALVE (LG)	664478	664478	664478	664479	664479
REFRIGERANT VALVE (SM)	664477	664477	664477	664477	664477
TOP PAN	496161R	496162R	496162R	496162R	496162R

Please specify the correct Model No., Serial No., & part number(s) when ordering parts from the nearest authorized dealer or service center.

To replace a restrictor for the outdoor or indoor unit, refer to the Quick Reference Data document that came with your unit to determine the size of the restrictor. The part number scheme for restrictors is "664" and three decimal places of the size of the restrictor. For example, a 0.042" restrictor part number would be 664042.

