

# QUICK REFERENCE DATA

## PSH4BG Series Residential Split System Heat Pump

18 SEER

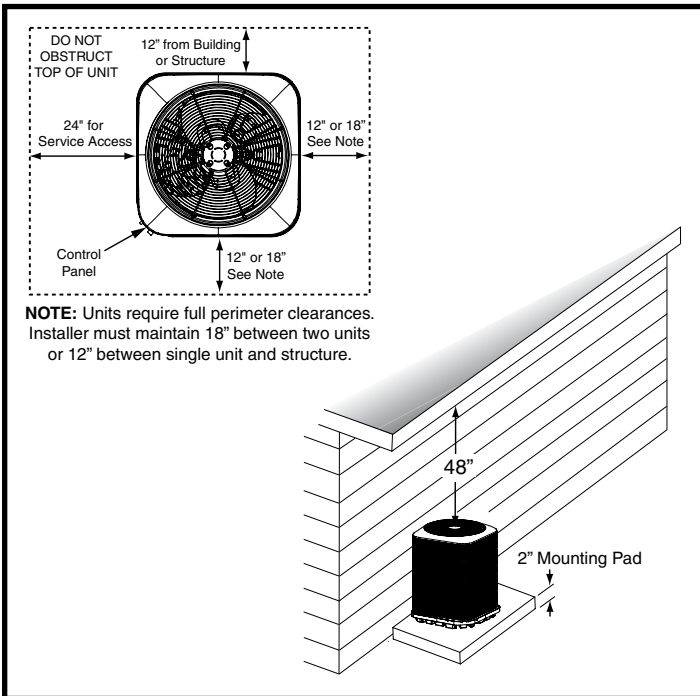
Model Number:		PSH4BG024K	PSH4BG036K	PSH4BG048K	PSH4BG060K	
Electrical Data	Volts-Cycles-Phase <sup>(1)</sup>	208/230-60-1				
	Total Amps	13.1	17.5	23.5	31.2	
	Delay Fuse Max. <sup>(2)</sup>	25	35	45	60	
	Min. Circuit Ampacity	15.8	21.2	28.7	38	
	Field Control Wiring Connections (24 vac from thermostat/indoor side)	R, C, Y1, Y2, O, W2, (L)				
Condenser Data	Coil	Area (ft <sup>2</sup> )	20.3	22.8	22.8	25.3
		Rows - FPI	1-18	1-20	2-16	2-16
		Tube Dia.	3/8" OD	3/8" OD	3/8" OD	3/8" OD
	Fan Motor	Type	Brushless DC			
		Amps	2.6	2.6	2.6	3.8
		HP	1/3	1/3	1/3	1/2
	Compressor Data	RLA	10.5	14.9	20.9	27.4
		LRA	N/A	N/A	N/A	N/A
	Service Valves	Liquid Side	3/8"	3/8"	3/8"	3/8"
		Vapor Side	3/4"	7/8"	7/8"	7/8"
Installation Refrigerant Vapor Line Size (All liquid lines 3/8" OD)	0 - 24 ft. equiv.	3/4"	7/8"	7/8"	7/8"	
	25 - 39 ft. equiv.	3/4"	7/8"	1-1/8"	1-1/8"	
	40 - 75 ft. equiv.	7/8"	1-1/8"	1-1/8"	1-1/8"	
	75 - 100 ft. equiv.	1-1/8"	1-1/8"	1-1/8"	1-1/8"	
Refrigerant Type	R-410A					
Refrigerant Charge (oz.), 15 ft. line set (factory charge)	188 <sup>(3)</sup>	184 <sup>(3)</sup>	282 <sup>(3)</sup>	282 <sup>(3)</sup>		
Weight Approximate (lbs.)	As shipped	200	220	252	272	
	Net	191	211	243	263	

- (1) Operating Voltage Range: 187v min. — 253v max.
- (2) HACR Type Circuit Breakers may be used.
- (3) Additional charge required for line sets above 15 feet. Values based on vapor line as follows with 3/8" liquid line.
  - (a) 3/4" = 0.6 oz. per additional foot.
  - (b) 7/8" = 0.7 oz. per additional foot.
  - (c) 1 1/8" = 0.8 oz. per additional foot.

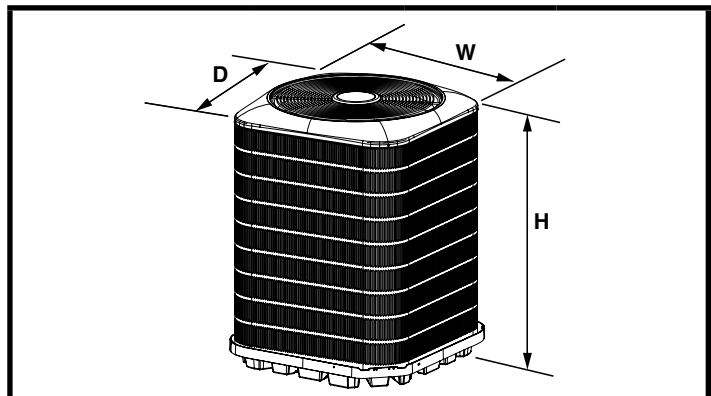
**Table 1. Electrical Specifications & Physical Data**

Wire Gauge	Recommended Maximum Wire Length (FT) from Unit to Thermostat
22	45
20	70
18	115
16	180

**Table 2. Control Wiring (24V)**



**Figure 1. Clearance Requirements**



MODEL NUMBER	HEIGHT (H)	WIDTH (W)	DEPTH (D)
PSH4BG024K	37"	31 1/4"	31 1/4"
PSH4BG036K	41"	31 1/4"	31 1/4"
PSH4BG048K	41"	31 1/4"	31 1/4"
PSH4BG060K	45"	31 1/4"	31 1/4"

**Table 3. Unit Dimensions**

**Instructions:**

1. Find the column for the model of outdoor unit that is being installed.
2. Find the row for the model of the indoor unit that is being installed.
3. Find the cell in the table in which this row and column meet. In this cell the appropriate TXV and charge addition for this match are listed.

Model Number:		PSH4BG024K	PSH4BG036K	PSH4BG048K	PSH4BG060K
Outdoor Unit Factory Charge (Oz.):		188	184	282	282
MODELS	INDOOR COIL TXV (AS-BUILT)	REQUIRED INDOOR TXV OR TXV KIT CHARGE ADDITION (OZ) / RATED CFM <sup>(4)</sup>			
<b>B6VM</b>					
B6VMAX24K-B	669564	TXV as-built (0 / 800)	--	--	--
B6VMAX36K-B	669566	--	TXV as-built (0 / 1200)	--	--
B6VMAX48K-C	669568	--	--	TXV as-built (0 / 1350)	--
B6VMAX60K-C	669578	--	--	--	TXV as-built (0 / 1500)
<b>C6BH</b>					
C6BH-X26(C,U)-B	669681	TXV as-built (0 / 820)	--	--	--
C6BH-X36(C,U)-B	669683	--	TXV as-built (0 / 1240)	--	--
C6BH-X36(C,U)-C	669683	--	TXV as-built (0 / 1220)	--	--
C6BH-X48(C,U)-C	669852	--	--	TXV as-built (0 / 1350)	--
C6BH-X60(C,U)-C	669686	--	--	--	TXV as-built (0 / 1545)
C6BH-X60(C,U)-D	669686	--	--	--	TXV as-built (0 / 1520)
<b>C6BA-F</b>					
C6BA-F42(C,U)-B+TXV	--	920668A (0 / 820)	920670A (0 / 1240)	--	--
C6BA-F48(C,U)-C+TXV	--	--	920670A (0 / 1220)	--	--
C6BA-F60(C,U)-C+TXV	--	--	--	920672A (0 / 1350)	920673A (0 / 1545)
C6BA-F60(C,U)-D+TXV	--	--	--	--	920673A (0 / 1520)

**NOTES:**

<sup>(4)</sup> Charge addition is for coil change only. For line sets longer than 15 feet see Installation Instructions.  
CFM refers to blower flow at rating point. Refer to indoor unit air flow setting information in the Installation Instructions for that unit.

**Table 4. TXV / Charge Addition (Oz)**

