

QUICK REFERENCE DATA

*S4BE Series Residential Split System Air Conditioner

14 SEER

Model Number: *S4BE		018K	024K	030K	036K	042K	048K	060K	
Electrical Data	Volts-Cycles-Phase (1)	208/230-60-1							
	Total Amps	9.9	14.4	15	15.1	19.3	21.2	27.6	
	Delay Fuse Max. (2)	20	30	30	30	40	45	60	
	Min. Circuit Ampacity	12.1	17.7	18.5	18.6	23.8	26.2	34.2	
Condenser Data	Coil	Area	17.5	17.5	20.3	22.8	25.4	25.4	
		Rows-FPI	1-22	1-22	1-22	1-22	1-22	2-16	2-16
		Tube Dia	3/8" O.D.						
	Fan Motor	Type	PSC						
		Amps	0.9	0.9	0.9	1	1.4	1.4	1.4
		HP	0.13	0.13	0.13	0.25	0.25	0.25	0.25
	Compressor Data	RLA	9	13.4	14.1	14.1	17.9	19.5	26.2
LRA		48	58.3	73	77	112	109	134	
REFRIGERANT SUCTION LINE O.D.		0-24 ft.	3/4"	3/4"	3/4"	3/4"	7/8"	7/8"	
NOTE: Liquid line is 3/8" O.D. for entire length.		25-39 ft.	3/4"	3/4"	3/4"	7/8" (3)	7/8"	1 1/8" (4)	
		40-75 ft.	3/4"	3/4"	3/4"	7/8" (3)	7/8"	1 1/8" (4)	
Refrigerant charge (R-410A) in ounces for outdoor unit, indoor unit and 15' line set. (5)		95	96	104	118	147	228	232	
APPROXIMATE WEIGHT (LBS.)	Net	162	166	171	176	279	220	223	
	Ship	171	175	180	185	190	232	235	

- (1) Operating Voltage Range: 187v min. — 253v max.
- (2) HACR Type Circuit Breakers may be used.
- (3) Requires 7/8" to 3/4" reducer from line to unit.
- (4) Requires 7/8" to 1-1/8" reducer from line to unit.
- (5) Additional charge for line sets above 15 feet. Values based on suction line as follows with 3/8" liquid line.
 - (a) 3/4" = 0.6 oz. per additional foot.
 - (b) 7/8" = 0.7 oz. per additional foot.
 - (c) 1 1/8" = 0.8 oz. per additional foot.

Table 1. Electrical Specifications & Physical Data

Thermostat Wire Gauge	Recommended T-Stat Wire Unit to T-Stat (Length in FT)	
	2-Wire (Heating)	5-Wire (Heating/Cooling)
24	55	25
22	90	45
20	140	70
18	225	110

Table 2. Thermostat Wire Gauge

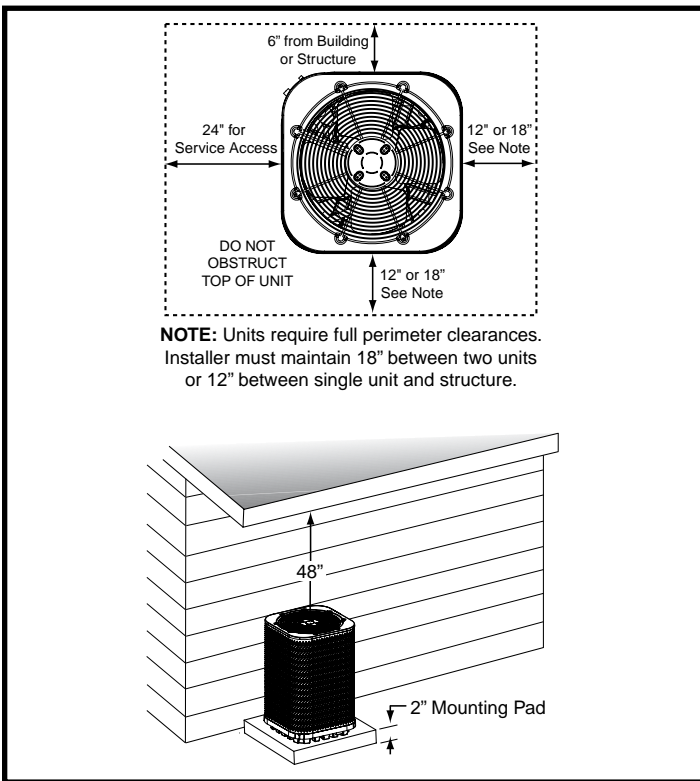


Figure 1. Clearance Requirements

Model JS4BE Shown

MODEL NUMBER	HEIGHT (H)	WIDTH (W)	DEPTH (D)
*S4BE-018K	31"	30 3/4"	30 3/4"
*S4BE-024K	31"	30 3/4"	30 3/4"
*S4BE-030K	35"	30 3/4"	30 3/4"
*S4BE-036K	39"	30 3/4"	30 3/4"
*S4BE-042K	43"	30 3/4"	30 3/4"
*S4BE-048K	43"	30 3/4"	30 3/4"
*S4BE-060K	43"	30 3/4"	30 3/4"

Table 3. Unit Dimensions

Instructions:

1. Find the column for the model of outdoor unit that is being installed.
2. Find the row for the model of the indoor unit that is being installed.
3. Find the cell in the table in which this row and column meet. In this cell the appropriate orifice / TXV and charge addition for this match are listed. If the text in this cell is BOLD, then a change of orifice is necessary.
4. If a change in restrictor is necessary, then the appropriate restrictor will already be supplied with the outdoor unit.

Examples:

- For the *S4BE-024K / B6EMMX24K-A match, the appropriate TXV is the 669564 and no additional charge needs to be added. (NO CHANGES ARE NECESSARY)
- For the *S4BE-036K / C7B(A,H)M03642(C,U)-B match, the 920670A TXV Kit is needed as well as an additional 8 ounces of charge. (TXV KIT AND CHARGE ADJUSTMENT NEEDED)

Model Number: *S4BE		018K	024K	030K	036K	042K	048K	060K
Outdoor Unit BOM Charge (Oz.)		95	96	104	118	147	228	232
MODELS	SUPPLIED WITH ID	REQUIRED RESTRICTOR OR TXV / CHARGE ADDITION (OZ)						
B4VM								
B4VM-X24K-A	669564	669564 / 14	669564 / 16	--	--	--	--	--
B4VM-X24K-B	669564	669564 / 14	669564 / 16	--	--	--	--	--
B4VM-X30K-A	669565	--	--	669565 / 14	--	--	--	--
B4VM-X30K-B	669565	--	--	669565 / 14	--	--	--	--
B4VM-X36K-B	669566	--	--	--	669566 / 18	--	--	--
B4VM-X48K-B	669568	--	--	--	--	669568 / 10	--	--
B4VM-X48K-C	669568	--	--	--	--	669568 / 10	669568 / 6	--
B4VM-X60K-C	669578	--	--	--	--	--	--	669578 / 2
B5BM-X								
B5B(M,V)-X25K-A	669564	669564 / 14	669564 / 16	--	--	--	--	--
B5B(M,V)-X25K-B	669564	669564 / 14	669564 / 16	--	--	--	--	--
B5B(M,V)-X30K-A	669565	--	--	669565 / 14	--	--	--	--
B5B(M,V)-X30K-B	669565	--	--	669565 / 14	--	--	--	--
B5B(M,V)-X37K-B	669566	--	--	--	669566 / 18	--	--	--
B5B(M,V)-X42K-B	669567	--	--	--	--	669567 / 10	--	--
B5B(M,V)-X48K-B	669568	--	--	--	--	669568 / 10	--	--
B5B(M,V)-X49K-C	669568	--	--	--	--	669568 / 10	669568 / 6	--
B5B(M,V)-X60K-C	669578	--	--	--	--	--	--	669578 / 2
B6BM								
B6BM-X24K-A	669564	669564 / 14	669564 / 16	--	--	--	--	--
B6BM-X24K-B	669564	669564 / 14	669564 / 16	--	--	--	--	--
B6BM-X30K-A	669565	--	--	669565 / 14	--	--	--	--
B6BM-X30K-B	669565	--	--	669565 / 14	--	--	--	--
B6BM-X36K-B	669566	--	--	--	669566 / 18	--	--	--
B6BM-X42K-B	669567	--	--	--	--	669567 / 10	--	--
B6BM-X48K-C	669568	--	--	--	--	--	669568 / 6	--
B6BM-X60K-C	669578	--	--	--	--	--	--	669578 / 2
B6EM								
B6EMMX24K-A	669564	669564 / 25	669564 / 0	--	--	--	--	--
B6EMMX24K-B	669564	669564 / 11	669564 / 2	--	--	--	--	--
B6EMMX30K-A	669565	--	--	669565 / 0	--	--	--	--
B6EMMX30K-B	669565	--	--	669565 / 11	--	--	--	--
B6EMMX36K-B	669566	--	--	--	669566 / 20	--	--	--
B6EMMX42K-B	669567	--	--	--	--	669567 / 0	--	--
B6EMMX48K-C	669852	--	--	--	--	669852 / 2	669852 / 0	--
B6EMMX60K-C	669578	--	--	--	--	--	--	669578 / 0
B6EW								
B6EW-018K	669564	669564 / 0	--	--	--	--	--	--
B6EW-024K	669564	--	669564 / 7	--	--	--	--	--
B6EW-030K	669565	--	--	669565 / 10	--	--	--	--
B6EW-036K	669566	--	--	--	669566 / 0	--	--	--

NOTES:

- The charges listed are only valid for the standard 15' lineset.
- Part numbers beginning with 669***are TXV part numbers and numbers listed as 0.*** are restrictor diameters.

Table 4. Restrictor or TXV / Charge Addition (Oz)

Instructions:

1. Find the column for the model of outdoor unit that is being installed.
2. Find the row for the model of the indoor unit that is being installed.
3. Find the cell in the table in which this row and column meet. In this cell the appropriate orifice / TXV and charge addition for this match are listed. If the text in this cell is BOLD, then a change of orifice is necessary.
4. If a change in restrictor is necessary, then the appropriate restrictor will already be supplied with the outdoor unit.

Examples:

- For the *S4BE-024K / B6EMMX24K-A match, the appropriate TXV is the 669564 and no additional charge needs to be added. (NO CHANGES ARE NECESSARY)
- For the *S4BE-036K / C7B(A,H)M03642(C,U)-B match, the 920670A TXV Kit is needed as well as an additional 8 ounces of charge. (TXV KIT AND CHARGE ADJUSTMENT NEEDED)

Model Number: *S4BE		018K	024K	030K	036K	042K	048K	060K
Outdoor Unit BOM Charge (Oz.)		95	96	104	118	147	228	232
MODELS	SUPPLIED WITH ID	REQUIRED RESTRICTOR OR TXV / CHARGE ADDITION (OZ)						
B6VM								
B6VMAX24K-A	669564	669564 / 14	669564 / 16	--	--	--	--	--
B6VMAX24K-B	669564	669564 / 14	669564 / 16	--	--	--	--	--
B6VMAX30K-A	669565	--	--	669565 / 14	--	--	--	--
B6VMAX30K-B	669565	--	669565 / 16	669565 / 14	--	--	--	--
B6VMAX36K-B	669566	--	--	--	669566 / 18	--	--	--
B6VMAX42K-B	669567	--	--	--	--	669567 / 10	--	--
B6VMAX48K-C	669568	--	--	--	--	669568 / 10	669568 / 6	--
B6VMAX60K-C	669578	--	--	--	--	--	--	669578 / 2
C6								
C6B(A,H)-X24(C,U)-A	669564	669564 / 14	669564 / 16	--	--	--	--	--
C6B(A,H)-X24(C,U)-B	669681	669681 / 14	669681 / 16	--	--	--	--	--
C6B(A,H)-X30(C,U)-A	669565	--	--	669565 / 14	--	--	--	--
C6B(A,H)-X30(C,U)-B	669682	--	--	669682 / 14	--	--	--	--
C6B(A,H)-X30(C,U)-C	669682	--	--	669682 / 14	--	--	--	--
C6B(A,H)-X36(C,U)-B	669683	--	--	--	669683 / 18	--	--	--
C6B(A,H)-X36(C,U)-C	669683	--	--	--	669683 / 18	--	--	--
C6B(A,H)-X42(C,U)-B	669684	--	--	--	--	669684 / 10	--	--
C6B(A,H)-X42(C,U)-C	669684	--	--	--	--	669684 / 10	--	--
C6B(A,H)-X42(C,U)-D	669684	--	--	--	--	669684 / 10	--	--
C6B(A,H)-X48(C,U)-C	669852	--	--	--	--	--	669852 / 6	--
C6B(A,H)-X48(C,U)-D	669852	--	--	--	--	--	669852 / 6	--
C6B(A,H)-X60(C,U)-C	669686	--	--	--	--	--	--	669686 / 2
C6B(A,H)-X60(C,U)-D	669686	--	--	--	--	--	--	669686 / 2
C7-0								
C7B(A,H)M01824(C,U)-A	0.048	920668A / 5	920668A / 2	--	--	--	--	--
C7B(A,H)M01824(C,U)-B	0.055	920668A / 10	920668A / 3	--	--	--	--	--
C7B(A,H)M030(C,U)-C	0.061	--	--	920668A / 6	--	--	--	--
C7B(A,H)M03036(C,U)-A	0.061	--	--	920668A / 6	--	--	--	--
C7B(A,H)M03036(C,U)-B	0.067	--	--	920668A / 6	--	--	--	--
C7B(A,H)M03642(C,U)-B	0.071	--	--	--	920670A / 8	920671A / 0	--	--
C7B(A,H)M03648(C,U)-C	0.067	--	--	--	920670A / 8	920671A / 0	--	--
C7B(A,H)M042(C,U)-D	0.071	--	--	--	--	920671A / 0	--	--
C7B(A,H)M048(C,U)-C	0.077	--	--	--	--	--	920672A / 4	--
C7B(A,H)M048(C,U)-D	0.087	--	--	--	--	--	920672A / 4	--

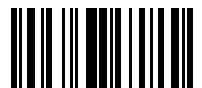
NOTES:

- The charges listed are only valid for the standard 15' lineset.
- Part numbers beginning with 669***are TXV part numbers and numbers listed as 0.*** are restrictor diameters.
- Bold part numbers beginning with a 9 are TXV kit numbers and must be ordered separately.

Table 4. Restrictor or TXV / Charge Addition (Oz) - Continued

NORDYNE
COMPLETE COMFORT. GENUINE VALUE.

Specifications & illustrations subject to change without notice or incurring obligations.
O'Fallon, MO | Printed in U.S.A. (01/12)



7093540 (NEW)