

QUICK REFERENCE DATA

NS6QD Series - Residential Split System Air Conditioner

MODEL NUMBER: NS6QD		024KA	030KA	036KA	042KA	048KA	060KA	
Electrical Data	Volts-Cycles Phase (1)	208 / 230 - 60 - 1						
	Total Amps	10.3	10.8	16.4	19.4	23.2	27.8	
	Delay Fuse Max. (2)	20	20	35	40	50	60	
	Min. Circuit Ampacity	12.7	13.3	20.1	23.9	28.7	34.4	
Component Data	Coil	Area	10.0	10.0	13.3	15.3	15.3	17.9
		Rows-FPI	1-23	1-23	1-23	1-18	1-18	1-18
		Tube Dia.	Micro-Channel					
	Fan Motor	Type	PSC	PSC	PSC	PSC	PSC	PSC
		Amps	0.7	0.7	1.4	1.5	1.5	1.5
		HP	0.1	0.1	0.25	0.25	0.25	0.25
	Compressor Data	RLA	9.6	10.1	15.0	17.9	21.8	26.4
LRA		60.5	60.0	88	112	117	134	
REFRIGERANT SUCTION LINE O.D		15 - 24 ft.	3/4"	3/4"	3/4"	7/8"	7/8"	
NOTE: Liquid line is 3/8" O.D. for entire length.		25 - 39 ft.	3/4"	3/4"	7/8" (3)	7/8"	1-1/8" (4)	
		40 - 75 ft.	3/4"	3/4"	7/8" (3)	7/8"	1-1/8" (4)	
REFRIGERANT CHARGE: R-410A in ounces for outdoor unit, indoor unit, & 15' Lineset		51	58	61	65	102	111.6	
APPROXIMATE WEIGHT (LBS.)	Net	113	116	135	179	179	188	
	Ship	118	121	140	187	187	197	

- (1) Operating Voltage Range: 187v min. — 253v max.
 (2) HACR Type Circuit Breakers may be used.
 (3) Requires 7/8" to 3/4" reducer from line to unit.
 (4) Requires 7/8" to 1-1/8" reducer from line to unit.
 (5) Additional charge for line sets above 15 feet. Values based on suction line as follows with 3/8" liquid line.
 (a) 3/4" = 0.6 oz. per additional foot.
 (b) 7/8" = 0.7 oz. per additional foot.
 (c) 1 1/8" = 0.8 oz. per additional foot.

Table 1. Electrical Specifications & Physical Data

Thermostat Wire Gauge	Recommended T-Stat Wire Unit to T-Stat (Length in FT)	
	2-Wire (Heating)	5-Wire (Heating/Cooling)
24	55	25
22	90	45
20	140	70
18	225	110

Table 2. Thermostat Wire Gauge

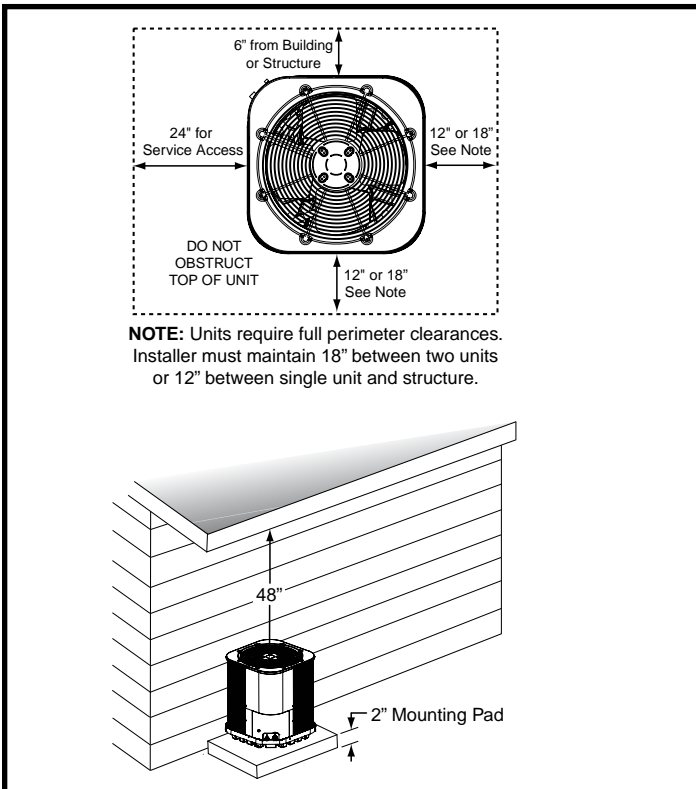
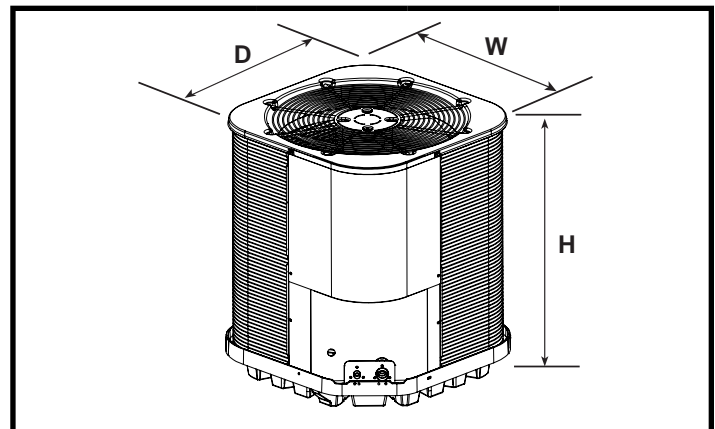


Figure 1. Clearance Requirements



MODEL NUMBER	HEIGHT (H)	WIDTH (W)	DEPTH (D)
NS6QD-024K	27 1/2"	22 3/4"	22 3/4"
NS6QD-030K	27 1/2"	22 3/4"	22 3/4"
NS6QD-036K	35 1/2"	22 3/4"	22 3/4"
NS6QD-042K	27 1/2"	30 3/4"	30 3/4"
NS6QD-048K	27 1/2"	30 3/4"	30 3/4"
NS6QD-060K	31 1/2"	30 3/4"	30 3/4"

Table 3. Unit Dimensions

Instructions:

1. Find the column for the model of outdoor unit that is being installed.
2. Find the row for the model of the indoor unit that is being installed.
3. Find the cell in the table in which this row and column meet. In this cell the appropriate orifice / TXV and charge addition for this match are listed. If the text in this cell is **BOLD**, then a change of orifice is necessary.
4. If a change in restrictor is necessary, then the appropriate restrictor will already be supplied with the outdoor unit.

Examples:

- For the NS6QD-024KA / C8QAM024U-B match the appropriate restrictor is the 0.055" and no additional charge needs to be added. (NO CHANGES REQUIRED)
- For the NS6QD-048K / CM4Q-54U match the correct TXV is supplied with the indoor unit and no additional charge needs to be added. (NO CHANGES REQUIRED)

ID Restrictor Installed With ID Unit	Model No. NS6QD		24KA	30KA	36KA	42KA	48KA	60KA	
	Total System Charge (Oz.)		51	58	61	65	102	111.6	
	Models	Supplied With ID	REQUIRED RESTRICTOR OR TXV / CHARGE ADDITION (OZ)						
	C8								
	C8QAM024U-B	0.055	0.055 / 0	--	--	--	--	--	
	C8QAM030U-B	0.061	--	0.061 / 0	--	--	--	--	
	C8QAM036U-B	0.067	--	--	0.067 / 0	--	--	--	
	C8QAM042U-B	0.072	--	--	--	0.072 / 0	--	--	
	CM4								
	CM4Q-53U	TXV	--	--	--	--	TXV / 0	--	
CM4Q-54U	TXV	--	--	--	--	--	TXV / 0		
CM4Q-56U	TXV	--	--	--	--	TXV / 0	TXV / 0		

NOTES:

- The charges listed are only valid for the standard 15' lineset.
- Numbers listed as 0.*** are restrictor diameters, while numbers listed as 669*** are TXV part numbers.

Table 4. Restrictor or TXV / Charge Addition (Oz)

