

QUICK REFERENCE DATA

JS6BD Series - Residential Split System Air Conditioner

Model No. JS6BD		024K	030K	036K	042K	048K	060K	
Electrical Data	Volts-Cycles Phase (1)	208/230-60-1	208/230-60-1	208/230-60-1	208/230-60-1	208/230-60-1	208/230-60-1	
	Total Amps	11.6	13	18.1	23.5	24.3	30.7	
	Delay Fuse Max. (2)	20	25	25	35	35	40	
	Min. Circuit Ampacity	12.9	14.5	20.1	26.2	27.0	34.2	
Component Data	Coil	Area	8.3	8.3	13.3	15.3	15.3	17.8
		Rows-FPI	1-22	1-22	1-22	1-16	1-16	1-16
		Tube Dia.	Micro-Channel	Micro-Channel	Micro-Channel	Micro-Channel	Micro-Channel	Micro-Channel
	Fan Motor	Type	PSC	PSC	PSC	PSC	PSC	PSC
		Amps	0.7	0.7	1.4	1.4	1.4	1.4
		Watts-HP	0.1	0.1	0.25	0.25	0.25	0.25
	Fan Blade	Dia.-#Blades	18" - 3BL	18" - 3BL	18" - 4BL	24" - 2BL	24" - 2BL	24" - 2BL
		SCFM	2800	3000	3000	3500	3500	3800
	Compressor		Rotary	Rotary	Rotary	Scroll	Scroll	Scroll
	Compressor Data*	RLA	10.9	12.3	16.7	22.1	22.9	29.3
LRA		49	59	88	115	115	150	
REFRIGERANT SUCTION LINE O.D NOTE: Liquid line is 3/8" O.D. for entire length.	15 - 24 ft.	3/4"	3/4"	3/4"	7/8"	7/8"	7/8"	
	25 - 39 ft.	3/4"	3/4"	7/8"	7/8"	7/8"	1-1/8" (4)	
	40 - 75 ft.	3/4"	3/4"	7/8"	7/8"	7/8"	1-1/8" (4)	
REFRIGERANT CHARGE R-410A in ounces for outdoor unit & 15' Lineset.		52	54	59	63	65	66	
APPROXIMATE WEIGHT (LBS.)	Net	113	116	135	157	163	188	
	Ship	118	121	140	163	169	194	

- (1) Operating Voltage Range: 187v min. — 253v max.
 (2) HACR Type Circuit Breakers may be used.
 (3) Requires 7/8" to 3/4" reducer from line to unit.
 (4) Requires 7/8" to 1-1/8" reducer from line to unit.
 (5) Additional charge for line sets above 15 feet.

Values based on suction line as follows with 3/8" liquid line.
 a) 3/4" = 0.6 oz. per additional foot.
 b) 7/8" = 0.7 oz. per additional foot.
 c) 1 1/8" = 0.8 oz per additional foot.

Table 1. Electrical Specifications & Physical Data

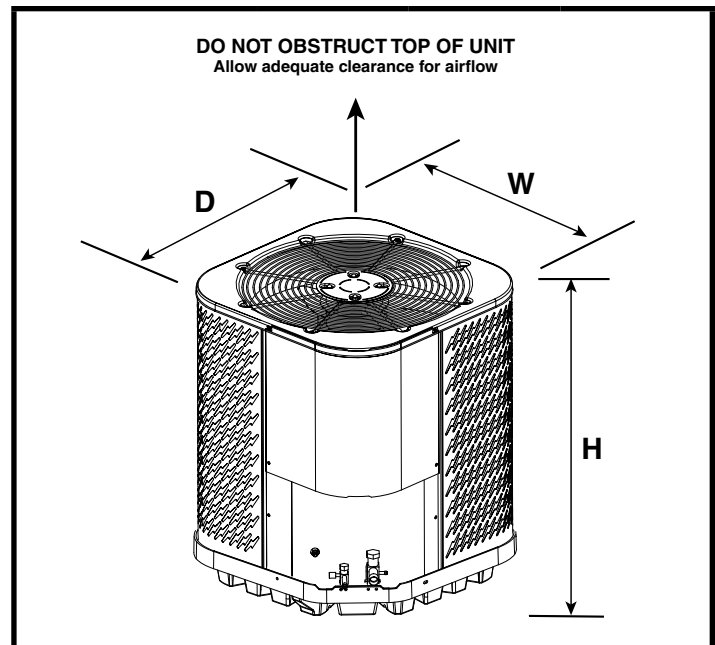
COPPER WIRE SIZE — AWG (1% Voltage Drop)				
Supply Wire Length-Feet				Supply Circuit Ampacity
200	150	100	50	
6	8	10	14	15
4	6	8	12	20
4	6	8	10	25
4	4	6	10	30
3	4	6	8	35
3	4	6	8	40
2	3	4	6	45
2	3	4	6	50
2	3	4	6	55
1	2	3	4	60

Wire Size based on N.E.C. for 60° type copper conductors.

Table 2. Copper Wire Size

Thermostat Wire Gauge	Recommended T-Stat Wire Unit to T-Stat (Length in FT)	
	2-Wire (Heating)	5-Wire (Heating/Cooling)
24	55	25
22	90	45
20	140	70
18	225	110

Table 3. Thermostat Wire Gauge



MODEL NUMBER	HEIGHT (H)	WIDTH (W)	DEPTH (D)
JS6BD-024K	27"	22 3/4"	22 3/4"
JS6BD-030K	27"	22 3/4"	22 3/4"
JS6BD-036K	35"	22 3/4"	22 3/4"
JS6BD-042K	27"	30 3/4"	30 3/4"
JS6BD-048K	27"	30 3/4"	30 3/4"
JS6BD-060K	31"	30 3/4"	30 3/4"

Table 4. Unit Dimensions

Instructions:

1. Find the column for the model of outdoor unit that is being installed.
2. Find the row for the model of the indoor unit that is being installed.
3. Find the cell in the table in which this row and column meet. In this cell the appropriate orifice / TXV and charge addition for this match are listed. If the text in this cell is BOLD, then a change of orifice is necessary.
4. If a change in restrictor is necessary, then the appropriate restrictor will already be supplied with the outdoor unit.

Examples:

- For the S6BD-024K / B6BMM024K-B match, the appropriate restrictor is the .055" and 5 ounces of charge will need to be added. (CHANGE IN CHARGE)
- For the S6BD-042K / GB5BMM042K-B match, the restrictor will need to be changed to the .072", and no additional charge needs to be added. (NO CHANGES ARE NECESSARY)

MODEL NO. JS6BD		024K	030K	036K	042K	048K	060K
ID Restrictor Supplied With OD Unit			0.058	0.069	0.072	0.076	
Outdoor Unit BOM Charge (Oz.)		52	54	59	63	65	66
MODEL	SUPPLIED WITH ID	REQUIRED RESTRICTOR OR TXV / CHARGE ADDITION (OZ)					
GB5BM-0							
GB5BM-024K-A	0.055	0.055 / 26	--	--	--	--	--
GB5BM-024K-B	0.055	0.055 / 26	--	--	--	--	--
GB5BM-030K-A	0.065	--	0.065 / 26	--	--	--	--
GB5BM-030K-B	0.065	--	0.065 / 26	--	--	--	--
GB5BM-036K-B	0.073	--	--	0.073 / 30	--	--	--
GB5BM-042K-B	0.077	--	--	--	0.077 / 25	--	--
GB5BM-048K-C	0.080	--	--	--	--	0.08 / 45	--
GB5BM-060K-C	0.089	--	--	--	--	--	0.089 / 49
GB5BMMO							
GB5BMM024K-A	0.055	0.055 / 5	--	--	--	--	--
GB5BMM024K-B	0.055	0.055 / 5	--	--	--	--	--
GB5BMM030K-A	0.062	--	0.058 / 7	--	--	--	--
GB5BMM030K-B	0.062	--	0.058 / 7	--	--	--	--
GB5BMM042K-B	0.074	--	--	0.069 / 2	0.072 / 0	--	--
GB5BMM048K-B	0.079	--	--	--	--	0.076 / 0	--
GB5BMM048K-C	0.079	--	--	--	--	0.076 / 0	--
GB5BMM060K-C	0.087	--	--	--	--	--	0.087 / 0
B5BM-X							
B5B(M,V)-X24K-A	669564	669564 / 26	--	--	--	--	--
B5B(M,V)-X24K-B	669564	669564 / 26	--	--	--	--	--
B5B(M,V)-X30K-A	669565	--	669565 / 26	--	--	--	--
B5B(M,V)-X30K-B	669565	--	669565 / 26	--	--	--	--
B5B(M,V)-X36K-B	669566	--	--	669566 / 30	--	--	--
B5B(M,V)-X42K-B	669567	--	--	--	669567 / 25	--	--
B5B(M,V)-X48K-B	669568	--	--	--	--	669568 / 45	--
B5B(M,V)-X48K-C	669568	--	--	--	--	669568 / 45	--
B5B(M,V)-X60K-C	669578	--	--	--	--	--	669578 / 49
B6BMMO							
B6BMM024K-A	0.055	0.055 / 5	--	--	--	--	--
B6BMM024K-B	0.055	0.055 / 5	--	--	--	--	--
B6BMM030K-A	0.062	--	0.058 / 7	--	--	--	--
B6BMM030K-B	0.062	--	0.058 / 7	--	--	--	--
B6BMM042K-B	0.074	--	--	0.069 / 2	0.072 / 0	--	--
B6BMM048K-B	0.079	--	--	--	--	0.076 / 0	--
B6BMM048K-C	0.079	--	--	--	--	0.076 / 0	--
B6BMM060K-C	0.087	--	--	--	--	--	0.087 / 0
B6BW							
B6BW-024K(*)	0.057	0.057 / 0	--	--	--	--	--
B6BW-030K(*)	0.060	--	0.060 / 0	--	--	--	--
B6BW-036K(*)	0.069	--	--	0.069 / 0	--	--	--

NOTES:

- The charges listed are only valid for the standard 15' lineset.
- Numbers listed as 0.*** are restrictor diameters, while numbers listed as 669*** are TXV part numbers.

Table 5. Restrictor or TXV / Charge Addition (Oz)

Instructions:

1. Find the column for the model of outdoor unit that is being installed.
2. Find the row for the model of the indoor unit that is being installed.
3. Find the cell in the table in which this row and column meet. In this cell the appropriate orifice / TXV and charge addition for this match are listed. If the text in this cell is BOLD, then a change of orifice is necessary.
4. If a change in restrictor is necessary, then the appropriate restrictor will already be supplied with the outdoor unit.

Examples:

- For the S6BD-024K / B6BMM024K-B match, the appropriate restrictor is the .055" and 5 ounces of charge will need to be added. (CHANGE IN CHARGE)
- For the S6BD-042K / GB5BMM042K-B match, the restrictor will need to be changed to the .072", and no additional charge needs to be added. (NO CHANGES ARE NECESSARY)

ID Restrictor Installed With ID Unit	MODEL NO. JS6BD		024K	030K	036K	042K	048K	060K	
	ID Restrictor Supplied With OD Unit			0.058	0.069	0.072	0.076		
	Outdoor Unit BOM Charge (Oz.)		52	54	59	63	65	66	
	MODEL	Supplied With ID	Required Restrictor or TXV / Charge Addition (Oz)						
	C6								
	C6B(A,H)-X24(C,U)-A	669564	669564 / 26	--	--	--	--	--	--
	C6B(A,H)-X24(C,U)-B	669681	669681 / 26	--	--	--	--	--	--
	C6B(A,H)-X30(C,U)-A	669565	--	669565 / 26	--	--	--	--	--
	C6B(A,H)-X30(C,U)-B	669682	--	669682 / 26	--	--	--	--	--
	C6B(A,H)-X30(C,U)-C	669682	--	669682 / 26	--	--	--	--	--
C6B(A,H)-X36(C,U)-B	669683	--	--	669683 / 30	--	--	--	--	
C6B(A,H)-X36(C,U)-C	669683	--	--	669683 / 30	--	--	--	--	
C6B(A,H)-X42(C,U)-B	669684	--	--	--	669684 / 25	--	--	--	
C6B(A,H)-X42(C,U)-C	669684	--	--	--	669684 / 25	--	--	--	
C6B(A,H)-X42(C,U)-D	669684	--	--	--	669684 / 25	--	--	--	
C6B(A,H)-X48(C,U)-C	669852	--	--	--	--	669852 / 45	--	--	
C6B(A,H)-X48(C,U)-D	669852	--	--	--	--	669852 / 45	--	--	
C6B(A,H)-X60(C,U)-C	669686	--	--	--	--	--	--	669686 / 49	
C6B(A,H)-X60(C,U)-D	669686	--	--	--	--	--	--	669686 / 49	

NOTES:

- The charges listed are only valid for the standard 15' lineset.
- Numbers listed as 0.*** are restrictor diameters, while numbers listed as 669*** are TXV part numbers.

Table 5. Restrictor or TXV / Charge Addition (Oz) - Continued

NORDYNE
COMPLETE COMFORT. GENUINE VALUE.

Specifications & illustrations subject to change without notice or incurring obligations.
O'Fallon, MO | Printed in U.S.A. (06/11)



7093080 (NEW)