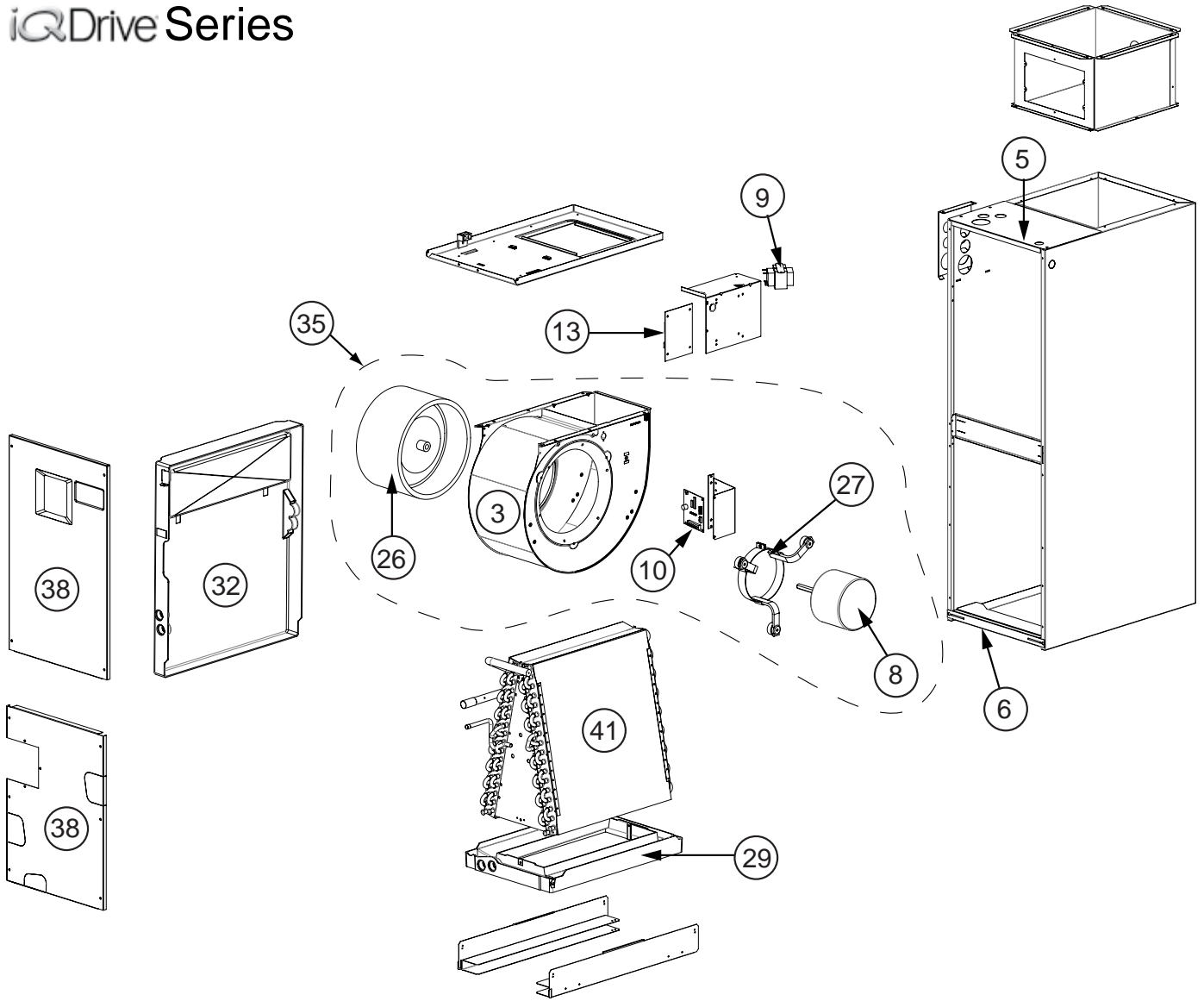


iQDrive Series



B6VMAI Series Air Handler

ITEM	DESCRIPTION	B6VMAI24K-B	B6VMAI36K-B	B6VMAI48K-C
		921173	921174	921175
1	PLATE, CLOSE-OFF (Not Shown)	226420R	226420R	226420R
2	HARNESS, WIRING, 5 PIN (Not Shown)	291062R	291062R	291062R
3	BLOWER HOUSING	297217R	297217R	297219R
4	EXV, CHECK VALVE ASSY, (Not Shown)	2B9391R	2B9391R	2B9392R
5	PANEL, TOP	921878	921878	921879
6	DOOR, FILTER	921875	921875	921876
7	PLATE, TUBE CLOSE-OFF (Not Shown)	921880	921880	921880
8	MOTOR, FAN, BRUSHLESS DC	M0021809R	M0021809R	M0021816R
9	TRANSFORMER	622335R	622335R	622335R
10	BOARD, INTERFACE, IQ (Not Shown)	624689R	624689R	624689R
11	TRANSDUCER, PRESSURE, EXV (Not Shown)	624692R	624692R	624692R
12	SENSOR, COIL TEMP, DEMAND DEFROST (Not Shown)	624702R	624702R	624702R
13	PCB, CONTROL, B6	624735R	624735R	624735R
14	PCB, CONTROL, EXV (Not Shown)	624754R	624754R	624754R
15	SENSOR, TEMP, EXV, 3FT (Not Shown)	626573R	626573R	626573R
16	DUAL GROUNDING LUG (Not Shown)	632235R	632235R	632235R
17	TOROIDAL CORE, CONTROLLER, INDOOR (Not Shown)	632467R	632467R	632467R
18	TOROIDAL CORE, COMMUNICATION LINE (Not Shown)	632468R	632468R	632468R
19	NOISE FILTER POWER SIDE INDOOR (Not Shown)	632472R	632472R	632472R
20	HARNESS, WIRING (Not Shown)	634675R	634675R	634675R
21	HARNESS, T-STAT, 4-PIN, IQ (Not Shown)	634680R	634680R	634680R
22	HARNESS, XDCR, EXV, BOOTED, 3FT (Not Shown)	634714R	634714R	634714R
23	HARNESS, OD, 3-PIN, IQ, 29" (Not Shown)	634763R	634763R	634763R
24	PLUG (DRAIN PAN) (Not Shown)	663351R	663351R	663351R
25	DIST, BODY (Not Shown)	663580R	663583R	663586R
26	WHEEL, BLOWER	667258R	667258R	667280R
27	ARM, MOTOR MOUNT	903489	903489	903489
28	ROD, COIL SUPPORT (Not Shown)	669100R	669100R	669100R
29	DRAINPAN, VERTICAL	669920R	669920R	669921R
31	COIL, EXV, 3' (Not Shown)	669760R	669760R	669759R
32	DRAINPAN, HORIZONTAL	669855R	669856R	669857R
34	PAINT, SPRAY, GRAY (Not Shown)	903598	903598	903598
35	BLOWER, IQ ASSMEBLY	921864	921864	921861
37	ELECTRICAL ASSEMBLY (Not Shown)	M0063804R	M0063804R	M0063804R
38	DOORS	921868	921869	921870
39	SET OF WIRES, (Not Shown)	921885	921885	921885
40	FUSE, 3 AMP (Not Shown)	632261	632261	632261
41	COIL	921895	921896	921897
42	FILTER DOOR FASTENERS, 10 PACK (Not Shown)	921402	921402	921402

Please specify the correct Model No., Serial No., and Part No.(s) when ordering parts from the nearest authorized dealer or service center.

NORDYNE
COMPLETE COMFORT. GENUINE VALUE.



Specifications & illustrations subject to change without notice or incurring obligations.
O' Fallon, MO | Printed in U.S.A. (04/12)

709177B (Replaces 709177A)