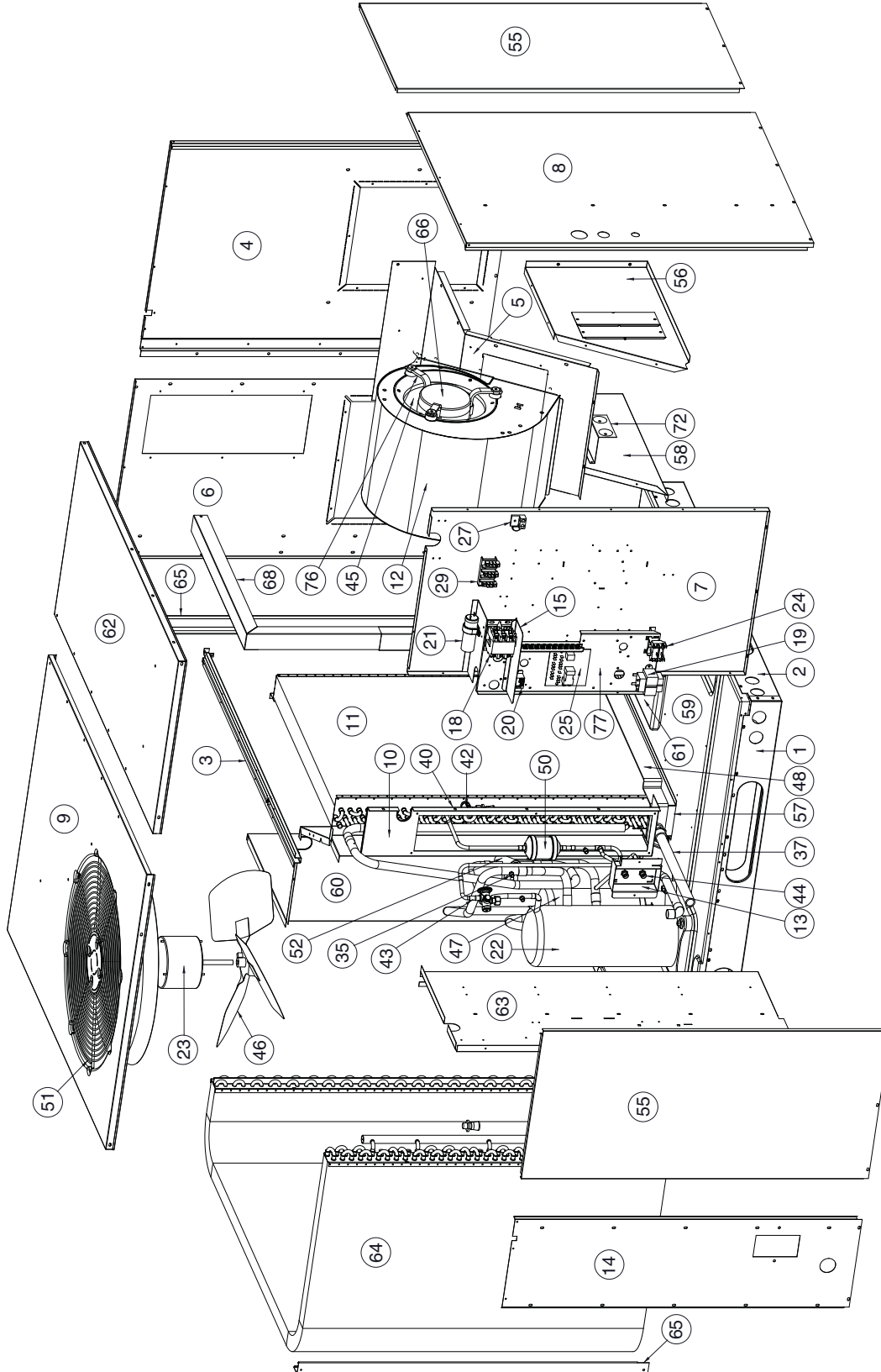


# REPLACEMENT PARTS LIST

## Single Package Air Conditioner

### Q6SD Series

### 13 SEER Models



**13 SEER Single Package Air Conditioner  
Q6 Series**

ITEM	COMPONENT	DESCRIPTION	Q6SD-X36D	Q6SD-X48D	Q6SD-X60D
			919953	919954	919955
1	277551R	RAIL, BASE, SHORT	2	2	2
2	277552R	RAIL, BASE, LONG	2	2	2
3	279722	CHANNEL, DRAIN	1	1	1
4	D05555R	SUPPLY PANEL ASSEMBLY	1	-	-
	D05556R		-	1	1
5	283942	PANEL, BLOWER TRANSITION	1	1	1
6	286701R	RETURN PANEL ASSEMBLY W/ACCESS DR	-	1	1
	286702R		1	-	-
7	292406R	CONTROL PANEL ASSEMBLY	1	-	-
	292407R		-	1	1
8	292435	CORNER PANEL ASSEMBLY	1	-	-
	292436		-	1	1
9	292441R	INSULATED TOP RIGHT PAN ASSEMBLY	1	1	1
10	293112	ASSY, COVER, HEADER, 34" COIL	1	-	-
	293113	ASSY, COVER, HEADER, 38" COIL	-	1	1
11	294911R	INDOOR COIL ASSEMBLY, 036	1	-	-
	294901R	INDOOR COIL ASSEMBLY, 048	-	1	-
	294921R	INDOOR COIL ASSEMBLY, 060	-	-	1
12	297214R	BLOWER HSG ASSEMBLY, 9/10X10	1	1	1
13	298551R	BRACKET, EXT. SERVICE PORT	1	1	1
14	298892R	PANEL, FRONT	1	-	-
	298893R		-	1	1
15	2A9692	DIVIDER, LOW VOLTAGE	1	1	1
16	606261	NUT, HEX, 8-32, DBL THICK, BLACK (NOT SHOWN)	4	4	4
17	618084	BRASS NUT, EXT.SERVICE PORT (NOT SHOWN)	2	2	2
18	621832	CONTACTOR, 3 POLE / 30A W/ AUX. SW	1	1	1
19	621850	TRANSFORMER 40VA	1	1	1
20	621931	RELAY, SPDT, NO/NC, 20/10	1	1	1
21	622132	CAPAC, RUN 7.5/370-RND-PLST	1	1	1
22	920137	COMP, COPE, ZP31K5E-TFD-130	1	-	-
	920138	COMP, COPE, ZP42K5E-TFD-130	-	1	-
	920139	COMP, COPE, ZP54K5E-TFD-130	-	-	1
23	622422	MTR, FAN, PSC, K, 1/4	1	1	-
	622421	MTR, FAN, PSC, X, 1/3	-	-	1
24	624617	RELAY, BLOWER 240V COIL (NOT SHOWN)	1	1	1
25	624656	BOARD, DEFROST, OPTIONAL DELAY	1	1	1
26	626488	DEFROST SENSOR (NOT SHOWN)	1	1	1
27	632235	DUAL GROUNDING LUG	1	1	1
28	632261	FUSE, 3-AMP (NOT SHOWN)	1	1	1
29	632348	BLOCK, TERMINAL-3 POLE	1	1	1
30	632401	SWITCH, HIGH PRESSURE (NOT SHOWN)	1	1	1
31	632576	HEATER, CRANKCASE (NOT SHOWN)	1	1	1
32	634718	PLUG, MOLDED, HV, TF5, 52" (NOT SHOWN)	1	1	1
33	662103	CORE, CHARGING PORT (NOT SHOWN)	3	3	3
34	663581	DIST, BODY, 4CIR O.D. (NOT SHOWN)	1	-	-
	663582	DIST, BODY, 5CIR O.D. (NOT SHOWN)	-	1	-
	663586	DIST, BODY, 8CIR O.D. (NOT SHOWN)	-	-	1
35	663812	FITTING, ACCESS	3	3	3
36	663818	CAP, SERVICE PORT, BRASS (NOT SHOWN)	3	3	3
37	663833	DRAIN TUBE ASSEMBLY	1	1	1
38	663913	DIST, BODY, 3CIR I.D. (NOT SHOWN)	1	-	-
	664410	DIST, BODY, 6CIR I.D (NOT SHOWN)	-	1	-
	664351	DIST, BODY, 6CIR I.D.(NOT SHOWN)	-	-	1
39	664053	RESTRICTOR (.053 ) (NOT SHOWN)	1	-	-
40	664194	CONNECTOR, SWIVEL	1	-	-

**13 SEER Single Package Air Conditioner  
Q6 Series**

ITEM	COMPONENT	DESCRIPTION	Q6SD-X36D	Q6SD-X48D	Q6SD-X60D
			919953	919954	919955
41	664331	CORE, PORT, HI FLOW, BRASS (NOT SHOWN)	2	2	2
42	664343	VALVE, TXV, EQ, CK, R410A, 3.0T, ID	1	-	-
	664345	VALVE, TXV, EQ, CK, R410A, 4.0T, ID	-	1	-
	664347	VALVE, TXV, EQ, CK, R410A, 5.0T, ID	-	-	1
43	664346	VALVE, TXV, EQ, CK, R410A, 4.0T, OD	-	1	-
	664348	VALVE, TXV, EQ, CK, R410A, 5.0T, OD	-	-	1
44	664393	FITTING, PANEL MNT, HI-FLOW, 3/8"	2	2	2
45	667207	WHEEL, BLOWER 10 X 10	1	1	1
46	667278	FAN, 3BL, 20.0D, 30P, CW, 1/2, 1140	1	1	-
	667282	FAN, 4BL, 20.0D, 28P, CW, 1/2, 1140	-	-	1
47	668853	ACCUM, 5"D, 3/4", 124 IN3	1	-	-
	668854	ACCUM, 5"D, 7/8", 174 IN3	-	1	1
48	669190	PAN, DRAIN R4/P4/Q4	1	1	1
49	917206	REPLACEMENT HAIL GUARD KIT (NOT SHOWN)	1	1	1
50	669379	DRIER, FILTER, BIFLOW, 8 IN^3	1	1	1
51	669404	GRILLE, TOP-24" BLACK	1	1	1
52	669465	VALVE, REVERSING, SHF-14-46-ND	1	-	-
	669466	VALVE, REVERSING, SHF-20A-47-ND	-	1	1
53	669472	COIL, RV, 24V, 84", SNH (NOT SHOWN)	1	1	1
54	903598	PAINT, STERLING GRAY, TOUCH UP(NOT SHOWN)	1	1	1
55	D05112R	PANEL, SERVICE	2	-	-
	D05113R	PANEL, SERVICE	-	2	2
56	D05420	PANEL, ELECTRIC HEAT	1	1	1
57	D05440	STAND, DRAIN PAN	1	1	1
58	D05450	PANEL, BLOWER TRANS SIDE	1	1	1
59	D05480R	BOTTOM PAN ASSEMBLY	1	1	1
60	D05502R	DIVIDER PANEL ASSEMBLY	1	-	-
	D05503R	DIVIDER PANEL ASSEMBLY	-	1	1
61	D05530R	DUCT CAP ASSY.	2	2	2
62	D05660R	TOP PAN ASSYEMBLY - LEFT	1	1	1
63	D05685R	PANEL, CLOSE-OFF ASSEMBLY	1	-	-
	D05686R	PANEL, CLOSE-OFF ASSEMBLY	-	1	1
64	D06262R	COIL, OUTDOOR	1	-	-
	D06265R	COIL, OUTDOOR	-	1	-
	D06266R	COIL, OUTDOOR	-	-	1
65	D09996R	POST, CORNER	2	-	-
	D09997R	POST, CORNER	-	2	2
66	M0002969R	MTR, X13 PROG, Q6, 1/2HP	1	-	-
	M0023924R	MTR, X-13 PROG, P6, 3/4HP	-	1	1
67	M0038359R	SET OF WIRES (NOT SHOWN)	1	1	1
68	M0021601	FILTER RACK ASSEMBLY	1	1	1
70	632393	LOW PRESSURE SWITCH(NOT SHOWN)	1	1	1
71	263394	COIL SUPPORT (NOT SHOWN)	1	1	-
	263395	COIL SUPPORT (NOT SHOWN)	-	-	1
72	263860	BRACKET, ELECTRIC HEAT	1	1	1
73	284821	DUCT COVER (NOT SHOWN)	2	2	2
74	295771	BRACKET, BLOWER HOUSING(NOT SHOWN)	1	1	1
75	2A6811	BRACKET, HAIL GUARD, LT (NOW SHOWN)	1	1	1
	2A6821	BRACKET, HAIL GUARD, RT (NOT SHOWN)	1	1	1
76	668928	MOTOR MOUNTING ARM	3	3	3
77	298591	CONTROL BRACKET	1	1	1

---

**NORDYNE**  
COMPLETE COMFORT. GENUINE VALUE.

O'Fallon, MO



7089860

**7089860**(Replaces 7088460)  
Specifications and illustrations subject to change  
without notice or incurring obligations.  
Printed in U.S.A. (11/09)