

Updated Installation Instructions

ADDENDUM

*TC/*TL 90+ Two Stage Condensing Furnace.

Based on Current re-certification of *TC/TL two stage furnaces, the following sections of current two stage installation Instructions have been replaced with this Addendum.

1. SUBBASE INFORMATION-Section of Down-flow Model Warning, Page 8.

The special downflow sub-bases are factory supplied accessories, part numbers 902974, 902677, 904108 and 904165. 904165 is an adjustable sub-base kit and it can be used on all cabinet sizes.

2. HORIZONTAL INSTALLATION- Section of Conversion of the 90+ Up-flow Furnace, Page 8 and 9.

Conversion of the *TC Upflow Furnace for a Horizontal Right Installation.

Refer to Figure 3.

1. Remove the hard "J" tube drain trap assembly.
2. Place the 5/8" cap plug over the drain trap in the header box from which the "J" drain trap assembly was removed.
3. Remove the piece of soft tubing running from the in-line drain assembly to the header box and place a 1/2" vinyl cap over the drain tap in the in-line drain assembly.
4. Remove the gray tubing from the pressure tap on the header box. Remove the 1/4" cap from the pressure tap on the right side of the header box and place it on the corresponding pressure tap on the opposite of the header box.
5. Place the gray tubing that was removed, to the corresponding pressure tap on the right side of the header box. (Refer to Figure 3)
6. If field supplied parts are used, disconnect both soft tubes from the hard "J" tube drain trap after loosening 7/8" clamps. Shorten long side of the "J" trap by 8-1/2".
7. Feed the 10" piece of soft tubing through the round hole located in the right side of the cabinet wrapper
Note: A downward slope must be maintained on the tube as it is routed through the furnace (when the furnace is in the horizontal position).
8. Assemble the 10" piece of soft tube to 5" tall end of the hard (J) tube to the end of the 10" soft tube located

outside of the furnace. Secure the connection using one of the clamps that was removed, from the "J" trap. Secure the connection with the 7/8" hose clamp.

9. Reassemble the 30" piece of soft tubing removed from the factory installed "J" tube drain trap to the 2' tall end of the modified "J" tube drain trap.

Note: Ensure the clamps in step 7 and 8 are securely tightened in order to avoid any condensate leakage.

Note: PVC "T" drain assembly must be installed so that condensate does not get into the induced draft blower. (refer to Figure 3).

Note: To avoid condensate freezing in the drain trap assembly and tubing, insulate around the drain trap assembly and all tubing located in unconditioned space.

Conversion of the *TC Upflow Furnace for a Horizontal Left Installation.

Refer to Figure 4.

1. Remove the hard "J" tube drain trap assembly.
2. If field supplied parts are used, disconnect both soft tubes from the hard "J" tube drain trap after loosening 7/8" clamps. Shorten long side of the "J" trap by 8-1/2".
3. Feed the 10" piece of soft tubing through the round hole located in the left side of the cabinet wrapper. Note: A downward slope must be maintained on the tube as it is routed through the furnace (when the furnace is in the horizontal position).
4. Assemble the 5" tall end of the hard "J" tube to the end of the 10" soft tube located outside of the furnace. Secure the connection using one of the 7/8" hose clamps that were removed from the "J" trap.
5. Assemble the 30" piece of soft tubing that was removed from the "J" trap to the 2" tall end of the modified "J" drain trap. Secure the connection with the 7/8" hose clamp.

NOTE: To avoid condensate freezing in the drain trap assembly and tubing, insulate around the drain trap assembly and all tubing located in unconditioned space. See note in Figure 4.

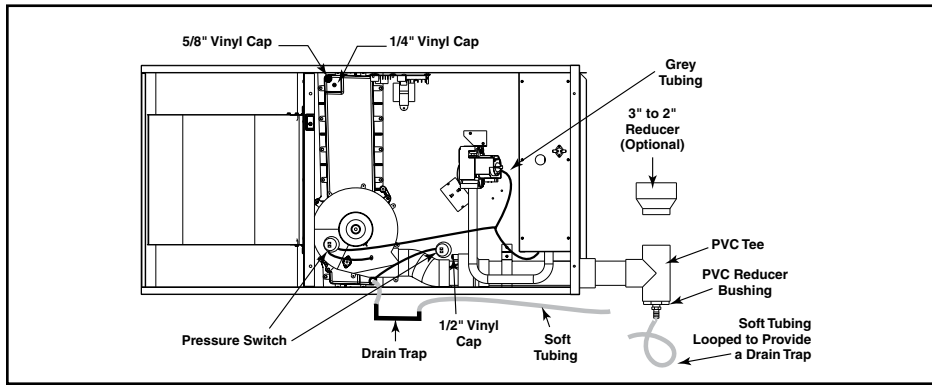


Figure 3. 90+ Upflow Converted for Horizontal Installation (Horizontal Right)

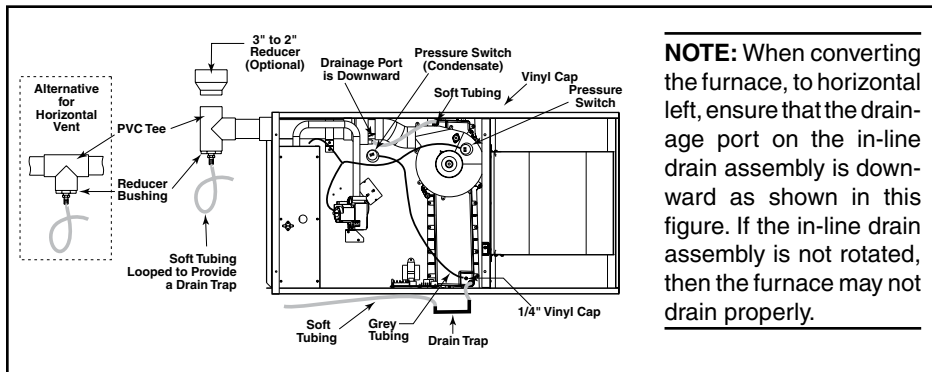


Figure 4. 90+ Upflow Converted for Horizontal Installation (Horizontal Left)

3. VENT TABLE-Table 4, Vent Table, Page 14

APPLICATION	SINGLE PIPE LENGTH (FT.) WITH 1 LONG RADIUS ELBOW**		DIRECT VENT, DUAL PIPE LENGTH (FT.) WITH 1 LONG RADIUS ELBOW ON EACH PIPE**			
	OUTLET		INLET/OUTLET			
	2"	3"	2"	2"	3"	3"
PVC, CPVC OR ABS SCH. 40 PIPE SIZE						
Models *T(C,L) 060, 080, & 092	40	100	30	30	65	65
Models *T(C,L) 110	30	100	20	20	65	65

**NOTES

1. Subtract 2.5 ft. for each additional 2" long radius elbow, 5 ft. for each additional 2" short radius elbow, 3.5' for each additional 3" long radius elbow, and 7' for each additional 3" short radius elbow.
2. Two 45 degree elbows are equivalent to one 90 degree elbow.
3. Do not include termination elbows in calculation of vent length
4. This table is applicable for elevations from sea level to 2000 ft. For higher elevations decrease vent pipe lengths by 8% per 1000 ft. of altitude.
5. Only the above pipe materials are approved for use with these condensing furnaces.

Table 4. Vent Table

