

Heat Pump Thermostat Connector Accessory

Installation Instructions

For E(1,2)EB models only, accessory p/n 903001

These instructions are primarily intended to assist qualified individuals experienced in the proper installation of this appliance. Some local codes require licensed installation/service personnel for this type of equipment. Read all instructions carefully before starting the installation.

The purpose of the Heat Pump Thermostat Connector Accessory, p/n 903001, is to simplify the connection of the heat pump to an E1EB or E2EB Electric Furnace which is air conditioning and heat pump-ready. When in use, the heat pump thermostat connector allows the interconnect cables to be used with an E1EB or E2EB Electric Furnace.

INSTALLATION SEQUENCE

1. Switch the circuit breaker(s) to the OFF position (see Figures 1 or 2).
2. Attach the terminal board assembly to the right side of the blower with the two screws provided (see see Figures 1 or 2).

3. Remove the control plug (6-pin matrix) from the blower deck of the furnace and then fasten the plug on the terminal board wires to where the control plug was (see Figures 1 or 2).
4. Bring all of the thermostat and heat pump wires to the furnace for system connection (see Figure 3). Turn the power back on.
5. When replacing the furnace door, be sure that the wire filter retained on the door does not come in contact with the screws on the terminal board assembly.

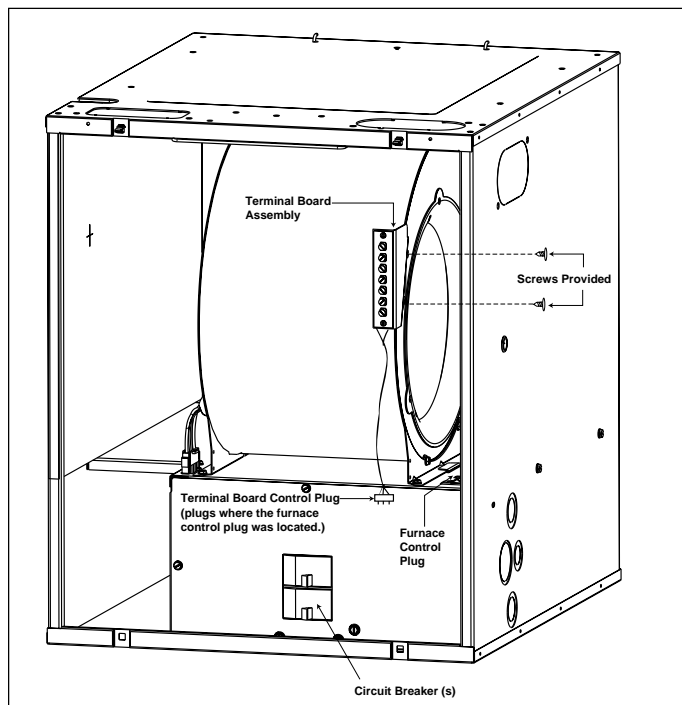


Figure 1. E1EB Furnace

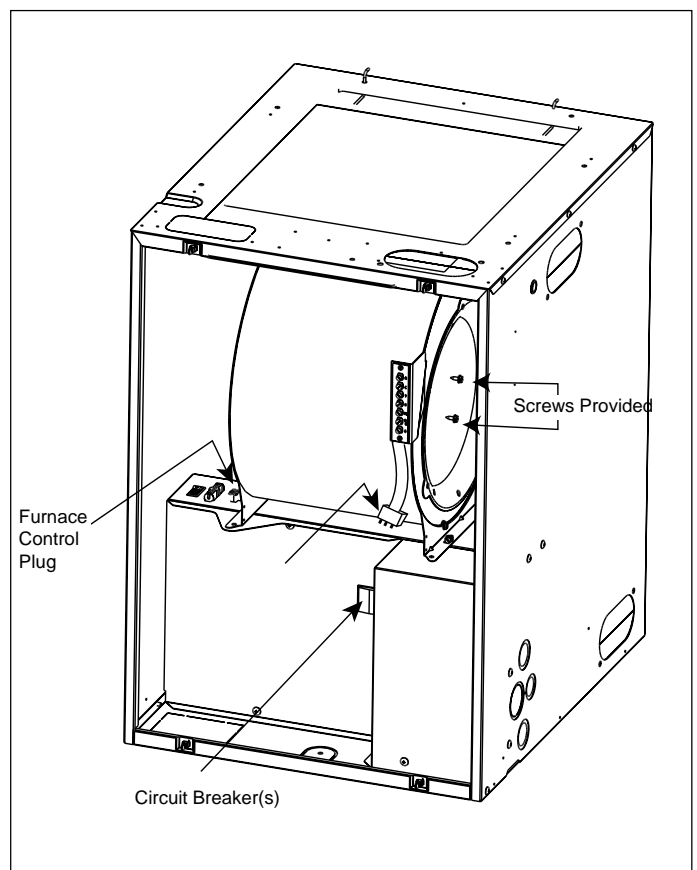


Figure 2. E2EB Furnace

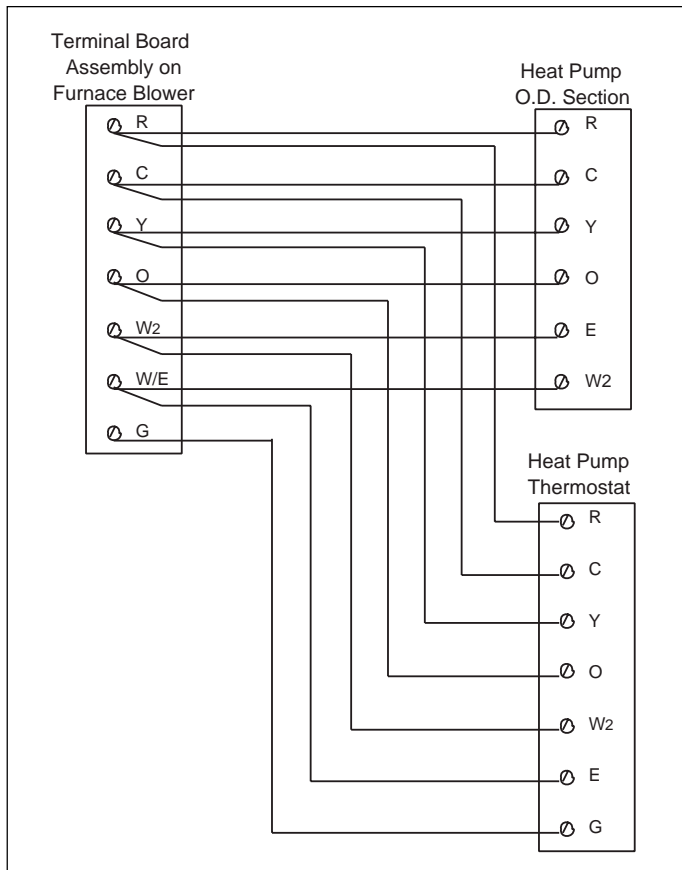


Figure3. System Connection